

# Using VMware Workstation Player for Linux

Workstation 12 Player  
VMware Workstation Player 12.0  
VMware Workstation Player 12.1

This document supports the version of each product listed and supports all subsequent versions until the document is replaced by a new edition. To check for more recent editions of this document, see <http://www.vmware.com/support/pubs>.

EN-001872-02

**vmware**<sup>®</sup>

You can find the most up-to-date technical documentation on the VMware Web site at:

<http://www.vmware.com/support/>

The VMware Web site also provides the latest product updates.

If you have comments about this documentation, submit your feedback to:

[docfeedback@vmware.com](mailto:docfeedback@vmware.com)

Copyright © 2015, 2016 VMware, Inc. All rights reserved. [Copyright and trademark information.](#)

**VMware, Inc.**  
3401 Hillview Ave.  
Palo Alto, CA 94304  
[www.vmware.com](http://www.vmware.com)

# Contents

- 1 Updated Information 7**
  - Using VMware Workstation Player for Linux 11
- 2 Introduction and System Requirements 13**
  - Host System Requirements for Workstation Player 13
  - Virtual Machine Features and Specifications 16
- 3 Installing and Using Workstation Player 17**
  - Install Workstation Player on a Linux Host 17
  - Start Workstation Player 19
  - Use the Workstation Player Window 19
  - Transferring Files and Text 20
  - Download a Virtual Appliance in Workstation Player 21
  - Remove a Virtual Machine from the Library in Workstation Player 21
  - Email Address Collection in Workstation Player 22
  - Uninstall Workstation Player 22
- 4 Changing Workstation Player Preference Settings 23**
  - Configuring Close Behavior Preference Settings 23
  - Configuring Software Updates Settings 24
  - Sending System Data and Usage Statistics to VMware 25
- 5 Creating Virtual Machines in Workstation Player 27**
  - Understanding Virtual Machines 27
  - Preparing to Create a Virtual Machine 27
  - Create a Virtual Machine 31
  - Use Easy Install to Install a Guest Operating System 32
  - Install a Guest Operating System Manually 33
  - Importing Virtual Machines 34
- 6 Installing and Upgrading VMware Tools 37**
  - Installing VMware Tools 37
  - Upgrading VMware Tools 38
  - Configure Software Update Preferences 39
  - Configure VMware Tools Updates for a Specific Virtual Machine 40
  - Manually Installing and Upgrading VMware Tools 40
  - Start the VMware User Process Manually If You Do Not Use a Session Manager 46
  - Uninstalling VMware Tools 46

- 7 Starting and Stopping Virtual Machines in Workstation Player 49**
  - Start a Virtual Machine in Workstation Player 49
  - Start an Encrypted Virtual Machine in Workstation Player 50
  - Download a Virtual Appliance in Workstation Player 50
  - Power Off a Virtual Machine in Workstation Player 50
  - Remove a Virtual Machine from the Library in Workstation Player 50
  - Use Ctrl+Alt+Delete to Shut Down a Guest 51
  - Suspend and Resume a Virtual Machine in Workstation Player 51
  - Reset a Virtual Machine in Workstation Player 52
  - Enable Autologon in a Windows Virtual Machine 52
  - Set Workstation Player Preferences for Virtual Machine Closing Behavior 53
  
- 8 Changing the Virtual Machine Display 55**
  - Configure Display Settings for a Virtual Machine 55
  - Use Full Screen Mode in Workstation Player 56
  - Use Multiple Monitors for One Virtual Machine 57
  
- 9 Using Removable Devices and Printers in Virtual Machines 59**
  - Use a Removable Device in a Virtual Machine 59
  - Connecting USB Devices to Virtual Machines 60
  - Mount the USB File System on a Linux Host 63
  - Add a Host Printer to a Virtual Machine 63
  - Using Smart Cards in Virtual Machines 64
  
- 10 Setting Up Shared Folders for a Virtual Machine 67**
  - Using Shared Folders 67
  - Enable a Shared Folder for a Virtual Machine 69
  - View Shared Folders in a Windows Guest 70
  - Mounting Shared Folders in a Linux Guest 70
  - Change Shared Folder Properties 71
  - Change the Folders That a Virtual Machine Can Share 71
  - Disable Folder Sharing for a Virtual Machine 72
  - Mapping a Virtual Disk to the Host System 72
  
- 11 Configuring and Managing Virtual Machines 75**
  - Change the Name of a Virtual Machine 75
  - Change the Guest Operating System for a Virtual Machine 76
  - Change the Working Directory for a Virtual Machine 76
  - Change the Virtual Machine Directory for a Virtual Machine 76
  - Change the Memory Allocation for a Virtual Machine 77
  - Configuring Video and Sound 77
  - Moving Virtual Machines 80
  - Configure a Virtual Machine as a VNC Server 83
  - Delete a Virtual Machine 86
  - View the Message Log for a Virtual Machine 86
  - Using the VIX API 86
  - Install New Software in a Virtual Machine 87

- 12 Configuring and Managing Devices 89**
    - Configuring DVD, CD-ROM, and Floppy Drives 89
    - Configuring a USB Controller 91
    - Configuring and Maintaining Virtual Hard Disks 93
    - Configuring Virtual Ports 98
    - Configuring Generic SCSI Devices 103
    - Configuring Sixteen-Way Virtual Symmetric Multiprocessing 105
    - Configuring Keyboard Features 106
    - Modify Hardware Settings for a Virtual Machine 113
  
  - 13 Configuring Network Connections 115**
    - Understanding Virtual Networking Components 115
    - Understanding Common Networking Configurations 116
    - Configuring Bridged Networking 117
    - Configuring Network Address Translation 118
    - Configuring Host-Only Networking 118
    - Changing a Networking Configuration 120
  
  - 14 Configuring Virtual Machine Option Settings 123**
    - Configuring General Option Settings for a Virtual Machine 123
    - Configuring Power Options for a Virtual Machine 124
    - Configuring VMware Tools Options for a Virtual Machine 125
    - Configuring Autologin for a Virtual Machine 126
  
  - 15 Configuring Virtual Machine Hardware Settings 127**
    - Adding Hardware to a Virtual Machine 127
    - Removing Hardware from a Virtual Machine 129
    - Adjusting Virtual Machine Memory 129
    - Configuring Virtual Machine Processor Settings 129
    - Configuring and Maintaining Virtual Hard Disks 130
    - Configuring CD-ROM and DVD Drive Settings 133
    - Configuring Floppy Drive Settings 134
    - Configuring Virtual Network Adapter Settings 135
    - Configuring USB Controller Settings 138
    - Configuring Sound Card Settings 139
    - Configuring Parallel Port Settings 139
    - Configuring Serial Port Settings 139
    - Configuring Generic SCSI Device Settings 140
    - Configuring Printer Settings 141
    - Configuring Display Settings 141
    - Installing a Guest Operating System on a Physical Disk or Unused Partition 142
- Index 143



# Updated Information

---

# 1

*Using VMware Workstation Player for Linux* is updated with each release of the product or when necessary.

This table provides the update history of *Using VMware Workstation Player for Linux*.

Revision	Description
EN-001872-02	<ul style="list-style-type: none"> <li>■ Updated <a href="#">“Virtual Machine Processor Support,”</a> on page 16 to reflect the supported functionality.</li> <li>■ Updated the option examples in <a href="#">“Linux Command Line Installation Options,”</a> on page 18.</li> <li>■ Updated <a href="#">“Connecting USB Devices to Virtual Machines,”</a> on page 60 to add a statement for how to manually connect a USB device to a virtual machine.</li> <li>■ Updated <a href="#">“Add a Host Printer to a Virtual Machine,”</a> on page 63 to add a prerequisite that the virtual machine must be powered on or off before adding a printer.</li> <li>■ Added a note in <a href="#">“Map or Mount a Virtual Disk to a Drive on the Host System,”</a> on page 72 that this functionality is not supported in the standalone version of Workstation Player. A note was also added that Workstation Player does not support taking or deleting snapshots.</li> <li>■ Updated <a href="#">“Limitations of Moving a Virtual Machine to a Different Host,”</a> on page 81 to reflect the supported functionality.</li> <li>■ Corrected <a href="#">“Add a New Virtual Hard Disk to a Virtual Machine,”</a> on page 94 to remove functionality not supported in Workstation Player.</li> <li>■ Corrected <a href="#">“Compact a Virtual Hard Disk,”</a> on page 96 to remove functionality not supported in Workstation Player.</li> <li>■ Updated <a href="#">“Expand a Virtual Hard Disk,”</a> on page 96 to provide information on how to determine whether a virtual machine is a linked clone or the parent of a linked clone. A note was also added that Workstation Player does not support taking or deleting snapshots.</li> <li>■ Changed <a href="#">“Configuring Eight-Way Symmetric Multiprocessing”</a> to <a href="#">“Configuring Sixteen-Way Virtual Symmetric Multiprocessing,”</a> on page 105 to reflect the supported functionality.</li> <li>■ Changed <a href="#">“Configure Eight-way Symmetric Multiprocessing”</a> to <a href="#">“Configure Sixteen-Way Virtual Symmetric Multiprocessing,”</a> on page 106 to reflect the supported functionality.</li> <li>■ Changed <a href="#">“Use a Virtual Machine That Has More Than Eight Virtual Processors”</a> to <a href="#">“Use a Virtual Machine That Has More Than Sixteen Virtual Processors,”</a> on page 106 to reflect the supported functionality.</li> <li>■ Updated <a href="#">“Add a Virtual Network Adapter to a Virtual Machine,”</a> on page 120 to reflect the options available in the product.</li> <li>■ Added a note to <a href="#">“Removing Hardware from a Virtual Machine,”</a> on page 129 stating that you cannot remove hardware from a virtual machine while it is in suspended state.</li> </ul>
EN-001872-01	<ul style="list-style-type: none"> <li>■ Removed references to deprecated guest operating systems in the document.</li> <li>■ Removed procedures for Windows hosts in the document.</li> <li>■ Removed the following sections because the functionality was removed in a previous release: <ul style="list-style-type: none"> <li>■ <a href="#">“Stream a Virtual Machine from a Web Server ”</a></li> </ul> </li> </ul>



Revision	Description
EN-001872-00	<ul style="list-style-type: none"><li data-bbox="895 218 1417 243">■ "Make a Virtual Machine Available for Streaming "</li><li data-bbox="858 254 1417 359">■ Removed requirement in "Processor Requirements for Host Systems," on page 13 for "LAHF/SAHF support in long mode". This requirement applies only to older 64-bit CPUs produced before 2006.</li><li data-bbox="858 369 1417 443">■ Updated "Prepare the Host System to Use 3D Accelerated Graphics," on page 78 to add a statement clarifying OpenGL3.3 support.</li><li data-bbox="858 453 1417 506">■ Added "Changing Automatic Bridging Settings," on page 136.</li></ul> <p data-bbox="858 516 863 541">.</p> <p data-bbox="858 548 991 573">Initial release.</p>



# Using VMware Workstation Player for Linux

---

*Using VMware Workstation Player for Linux* describes how to use VMware Workstation Player™ to create, configure, and manage virtual machines on a Linux host.

## **Intended Audience**

This information is intended for anyone who wants to install, upgrade, or use VMware Workstation Player on a Linux host.



# Introduction and System Requirements

# 2

Workstation Player is a desktop application that lets you create, configure, and run virtual machines. You can also use Workstation Player to download and run virtual appliances.

Host computers that run Workstation Player must meet specific hardware and software requirements. Virtual machines that run in Workstation Player support specific devices and provide certain features.

This chapter includes the following topics:

- [“Host System Requirements for Workstation Player,”](#) on page 13
- [“Virtual Machine Features and Specifications,”](#) on page 16

## Host System Requirements for Workstation Player

The physical computer on which you install Workstation Player is called the host system and its operating system is called the host operating system. To run Workstation Player, the host system and the host operating system must meet specific hardware and software requirements.

### Processor Requirements for Host Systems

You must install Workstation Player on a host system that meets certain processor requirements.

#### Supported Processors

The host system must have a 64-bit x86 CPU with 1.3 GHz or faster core speed. Multiprocessor systems are supported.

When you install Workstation Player, the installer performs checks to make sure the host system has a supported processor. You cannot install Workstation Player if the host system does not meet the processor requirements.

#### Processor Requirements for 64-Bit Guest Operating Systems

The operating system that runs inside a virtual machine is called the guest operating system. To run 64-bit guest operating systems, the host system must have one of the following processors.

- An AMD CPU that has segment-limit support in long mode
- An Intel CPU that has VT-x support

If you have an Intel CPU that has VT-x support, you must verify that VT-x support is enabled in the host system BIOS. The BIOS settings that must be enabled for VT-x support vary depending on the system vendor. See the VMware knowledge base article at <http://kb.vmware.com/kb/1003944> for information about how to determine if VT-x support is enabled.

When you install a 64-bit operating system, Workstation Player performs checks to make sure the host system has a supported processor. You cannot install a 64-bit operating system if the host system does not meet the processor requirements.

### **Processor Requirements for Windows 7 Aero Graphics**

To support Windows 7 Aero graphics, the host system should have either an Intel Dual Core 2.2 GHz or later CPU or an AMD Athlon 4200+ or later CPU.

## **Supported Host Operating Systems**

You can install Workstation Player on Windows and Linux host operating systems.

To see a list of the supported host operating systems, search the online VMware Compatibility Guide on the VMware Web site.

Workstation Player is not listed, but the information for Workstation Pro is applicable to Workstation Player. Operating systems that are not listed are not supported for use in a virtual machine.

## **Memory Requirements for Host Systems**

The host system must have enough memory to run the host operating system, the guest operating systems that run inside the virtual machines on the host system, and the applications that run in the host and guest operating systems.

The minimum memory required on the host system is 1 GB. 2 GB and above is recommended.

To support Windows 7 Aero graphics in a virtual machine, at least 3 GB of host system memory is required. 1 GB of memory is allocated to the guest operating system and 256 MB is allocated to graphics memory.

See your guest operating system and application documentation for more information on memory requirements.

## **Display Requirements for Host Systems**

The host system must have a 16-bit or 32-bit display adapter. Use the latest graphics driver recommended for the host system.

To support Windows 7 Aero graphics, the host system should have either an NVIDIA GeForce 8800GT or later or an ATI Radeon HD 2600 or later graphics processor.

---

**IMPORTANT** 3D benchmarks, such as 3DMark '06, might not render correctly or at all when running Windows Vista or Windows 7 virtual machines on some graphics hardware.

---

## Disk Drive Requirements for Host Systems

Host systems must meet certain disk drive requirements. Guest operating systems can reside on physical disk partitions or in virtual disk files.

**Table 2-1.** Disk Drive Requirements for Host Systems

Drive Type	Requirements
Hard disk	<ul style="list-style-type: none"> <li>■ IDE, SATA, and SCSI hard drives are supported.</li> <li>■ At least 1 GB free disk space is recommended for each guest operating system and the application software used with it. If you use a default setup, the actual disk space needs are approximately the same as those for installing and running the guest operating system and applications on a physical computer.</li> <li>■ For installation, approximately 200 MB free disk space is required on Linux and 250 MB free disk space is required on Windows. You can delete the installer after the installation is complete to reclaim disk space.</li> </ul>
Optical CD-ROM and DVD	<ul style="list-style-type: none"> <li>■ IDE, SATA, and SCSI optical drives are supported.</li> <li>■ CD-ROM and DVD drives are supported.</li> <li>■ ISO disk image files are supported.</li> </ul>
Floppy	Virtual machines can connect to disk drives on the host computer. Floppy disk image files are also supported.

### Solid-State Drives

If your host machine has a physical solid-state drive (SSD), the host informs guest operating systems they are running on an SSD.

This allows the guest operating systems to optimize behavior. How the virtual machines recognize SSD and use this information depends on the guest operating system and the disk type of the virtual disk (SCSI, SATA, or IDE).

- On Windows 8, Windows 10, Ubuntu, and Red Hat Enterprise Linux virtual machines, all drive types can report their virtual disks as SSD drives.
- On Windows 7 virtual machines, only IDE and SATA virtual disks can report their virtual disks as SSD. SCSI virtual disks only report as SSD when used as a system drive in a virtual machine, or as a mechanical drive when used as a data drive inside a virtual machine.
- On Mac virtual machines, only SATA virtual disks are reported as SSD. IDE and SCSI virtual disks are reported as mechanical drives.

Use the virtual machine operating system to verify your virtual machine is using SSD as its virtual disk.

## Local Area Networking Requirements for Host Systems

You can use any Ethernet controller that the host operating system supports.

Non-Ethernet networks are supported by using built-in network address translation (NAT) or by using a combination of host-only networking and routing software on the host operating system.

## Virtual Machine Features and Specifications

Workstation Player virtual machines support specific devices and provide certain features.

### Supported Guest Operating Systems

A guest operating system can be Windows, Linux, and other commonly used operating systems.

For the most recent list of guest operating systems that VMware products support, see the VMware Compatibility Guide site: <http://www.vmware.com/resources/compatibility/search.php>.

Workstation Player is not listed, but the information for Workstation Pro is applicable to Workstation Player. Operating systems that are not listed are not supported for use in a virtual machine.

For instructions about how to install the most common guest operating systems, see the *VMware Guest Operating System Installation Guide*: <http://partnerweb.vmware.com/GOSIG/home.html>.

### Virtual Machine Processor Support

Virtual machines support certain processor features.

- The same as the processor on the host computer.
- One virtual processor on a host system that has one or more logical processors.
- Up to 16 virtual processors (sixteen-way virtual symmetric multiprocessing, or Virtual SMP) on a host system that has at least 2 logical processors.

---

**NOTE** Workstation Player considers multiprocessor hosts that have 2 or more physical CPUs, single-processor hosts that have a multicore CPU, and single-processor hosts that have hyperthreading enabled, to have two logical processors.

---

### Virtual Machine Memory Allocation

The total amount of memory that you can assign to all virtual machines running on a single host system is limited only by the amount of RAM on the host.

On 64-bit hosts, the maximum amount of memory for each virtual machine is 64GB. On 32-bit hosts, the maximum amount of memory for each virtual machine is 8GB. Workstation Player prevents powering on virtual machines that are configured to use more than 8GB of memory on 32-bit hosts. Memory management limitations on 32-bit operating systems cause virtual machine memory to overcommit, which severely affects system performance.

### Compatible Virtual Machines and System Images

Workstation Player can run virtual machines and system images that other VMware products create and some non-VMware products.

#### **VMware virtual machines**

Workstation Player runs virtual machines that were created by using Workstation 4 and later, GSX Server 3.x, VMware Server, and ESX Server 2.5 and later. Workstation 4 virtual machines run in legacy mode. You must use another VMware product to upgrade virtual machines created in versions earlier than Workstation 4 before you can run them in Workstation Player.



# Installing and Using Workstation Player

# 3

Installing Workstation Player typically involves running a standard GUI wizard.

This chapter includes the following topics:

- [“Install Workstation Player on a Linux Host,”](#) on page 17
- [“Start Workstation Player,”](#) on page 19
- [“Use the Workstation Player Window,”](#) on page 19
- [“Transferring Files and Text,”](#) on page 20
- [“Download a Virtual Appliance in Workstation Player,”](#) on page 21
- [“Remove a Virtual Machine from the Library in Workstation Player,”](#) on page 21
- [“Email Address Collection in Workstation Player,”](#) on page 22
- [“Uninstall Workstation Player,”](#) on page 22

## Install Workstation Player on a Linux Host

You run the Linux bundle installer to install Workstation Player on a Linux host system. On most Linux distributions, the Linux bundle installer starts a GUI wizard. On some Linux distributions, including Red Hat Enterprise Linux 5.1, the bundle installer starts a command-line wizard instead of a GUI wizard. You can also run the installer with the `--console` option to install Workstation Player in a terminal window.

### Prerequisites

- Verify that the host system meets the host system requirements. See [“Host System Requirements for Workstation Player,”](#) on page 13.
- Obtain the Workstation Player software.
- Familiarize yourself with the Linux command-line installation options. See [“Linux Command Line Installation Options,”](#) on page 18.
- Verify that you have root access on the host system.

### Procedure

- 1 Log in to the Linux host system with the user name that you plan to use when you run Workstation Player.

- 2 Become root.

For example: `su root`

The command that you use depends on your Linux distribution and configuration.

- 3 Change directories to the directory that contains the Workstation Player installer file.
- 4 Run the appropriate Workstation Player installer file for the host system.

For example: `sh VMware-Player-e.x.p-xxxx-xxxx.architecture.bundle --[option]`

`xxxx-xxxx` is the version and build numbers, `architecture` is `i386` or `x86_64`, and `option` is a command line option.

- 5 Accept the license agreement.

If you are using the `--console` option or installing Workstation Player on a host system that does not support the GUI wizard, press Enter to scroll through and read the license agreement or type `q` to skip to the `[yes/no]` prompt.

- 6 Follow the prompts to finish the installation.

### What to do next

After Workstation Player is installed, you can exit from the root account. You do not need to be root to run Workstation Player.

## Linux Command Line Installation Options

You can use command line installation options to install Workstation Player on a Linux host system.

To use the installation options, you must be logged in as root. Exit from the root account after the installation is finished.

**Table 3-1.** Linux Command Line Installation Options

Option	Description
<code>--console</code>	Enables you to use the terminal for installation.
<code>--custom</code>	Use this option to customize the locations of the installation directories.
<code>--gtk</code>	Opens the GUI-based VMware installer, which is the default option.
<code>--ignore-errors</code> or <code>-I</code>	Allows the installation to continue even if there is an error in one of the installer scripts. Because the section that has an error does not complete, the component might not be properly configured.
<code>--regular</code>	Shows installation questions that have not been answered before or are required. This is the default option.
<code>--required</code>	Shows the license agreement only and then proceeds to install Workstation Player.
<code>--set-setting vmware-installer installShortcuts yes   no</code>	Adds shortcuts when Workstation Player is installed. The default is <code>yes</code> .
<code>--set-setting vmware-installer libdir lib_path</code>	The <code>libdir</code> parameter instructs the installer where to place product-specific data files, such as libraries and internal icons. The installer places product files in <code>\$libdir/vmware</code> and <code>\$libdir/vmware-installer</code> . The default is <code>/usr/lib</code> .
<code>--set-setting vmware-installer prefix /usr/local</code>	Installs executable files you run directly (ex: <code>vmware</code> , <code>vmplayer</code> , <code>vmware-networks</code> , etc.) here. Remainder of the product distributed under <code>libdir</code> -derived paths. The default is <code>/usr</code> .
<code>--set-setting vmware-player serialNumber xxxxx-xxxxx-xxxxx-xxxxx-xxxxx</code>	Lets you enter the license key when Workstation Player is installed. Enter the license key with hyphens, for example, <code>xxxxx-xxxxx-xxxxx-xxxxx-xxxxx</code> .
<code>--set-setting vmware-player-app simplifiedUI yes no</code>	Turn on or off certain UI features of Workstation Player. The default is <code>no</code> .
<code>--set-setting vmware-player-app softwareUpdateEnabled yes no</code>	Enables automatic upgrades for Workstation Player when a new build becomes available.

**Table 3-1.** Linux Command Line Installation Options (Continued)

Option	Description
<code>--set-setting vmware-player-app softwareUpdateURL https://url/</code>	Specifies a custom URL for managing software updates (separate from vmware.com).
<code>--set-setting vmware-player-app supportURL https://url/</code>	Set a support URL or email alias specifically for your users to contact with product issues through the <b>Help</b> menu.

## Start Workstation Player

When you start Workstation Player, the Workstation Player window opens.

You start Workstation Player from the command line. On some Linux distributions, including Red Hat Enterprise Linux 5.1, you can also start Workstation Player from the **System Tools** menu under **Applications**.

### Procedure

- ◆ Type the `vmplayer` command.

Option	Description
<code>/usr/bin</code> is in your default path	<code>vmplayer &amp;</code>
<code>/usr/bin</code> is not in your default path	<code>/usr/bin/vmplayer &amp;</code>

## Use the Workstation Player Window

You interact with Workstation Player and virtual machines through the Workstation Player window. The best way to learn how to use Workstation Player is to use it. The Workstation Player window is designed to be intuitive and easy to use.

### Procedure

- Use the icons on the **Home** tab to create a new virtual machine, open an existing virtual machine, download a virtual appliance, or view the Workstation Player help system.
- Select a powered-off virtual machine in the library see the summary view.

The summary view shows a summary of configuration information and the virtual machine state. You can start the virtual machine and edit virtual machine settings from the summary view.

- Select a powered-off virtual machine in the library and click **Play virtual machine** to start the virtual machine and see the console view.

The console view is like the monitor display of a physical computer.

- Select a virtual machine in the library and use the **Virtual Machine** menu on the menu bar to perform all virtual machine operations for the selected virtual machine.
- When a virtual machine is powered on, use the icons on the status bar to perform actions on virtual devices such as hard disks, CD/DVD drives, floppy drives, and network adapters.

You can click or right-click on a removable device icon to connect or disconnect the device or edit its settings.

- Use the About VMware Player window to access information about your installation of Workstation Player, including license key information.

Click **Help > About VMware Workstation 12 Player**.

- If you have an individual license for Workstation Player, the key is displayed in the License Information section in the **Type** field. It is labeled *Individual* and is followed by your license key.

- If you have a version of Workstation Player licensed for multiple users, the **Type** field displays *Volume* and your license key is not displayed.
- If you did not enter a license for Workstation Player, the **Type** field displays *Not applicable* and a license key is not displayed.
- If you have an evaluation license key for Workstation Player, the **Type** field displays *Not applicable*. The date the evaluation license key expires is also displayed.

---

**NOTE** The evaluation key does not activate Horizon FLEX features.

---

## Transferring Files and Text

You can use the drag-and-drop and copy and paste features, shared folders, and mapped drives to transfer text and files between the host system and virtual machines.

### Using the Drag-and-Drop Feature

You can use the drag-and-drop feature to move files and directories, email attachments, plain text, formatted text, and images between the host system and virtual machines.

You can drag files or directories between the following locations.

- File managers, such as Windows Explorer, on the host system and virtual machines.
- A file manager to an application that supports drag-and-drop.
- Applications, such as zip file managers, which support drag-and-drop extraction of individual files.
- Different virtual machines.

When you drag a file or folder between the host and a virtual machine, Workstation Player copies the file or folder to the location where you drop it. For example, if you drop a file on the desktop icon of a word processor, the word processor opens a copy of the original file. The original file does not include changes that you make to the copy.

Initially, the application opens a copy of the file that is stored in the temp directory. On Windows, the temp directory is specified in the %TEMP% environment variable. On Linux and Solaris, the temp directory is /tmp/VMwareDnD. Save the file in a different directory to protect changes that you make.

### Drag-and-Drop Requirements and Restrictions

The drag-and-drop feature has certain requirements and restrictions.

- You must install VMware Tools in a virtual machine to use the drag-and-drop feature.
- The drag-and-drop feature requires Linux hosts and guests to run X Windows and Solaris 10 guests to run an Xorg X server and JDS/Gnome.
- You can drag images between applications on Windows hosts and applications on Windows guests only. Dragging images is not supported for Linux hosts or guests.
- You can drag files and directories, email attachments, plain text, and formatted text between Linux and Windows hosts and Linux, Windows, and Solaris 10 guests only.
- Dragging email attachments is restricted to images or files smaller than 4 MB.
- Dragging plain text and formatted text (including the formatting) is restricted to amounts less than 4 MB.
- Dragging text is restricted to text in languages that can be represented by Unicode characters.
- Workstation Player uses the PNG format to encode images that are dragged. Dragging images is restricted to images smaller than 4 MB after conversion to PNG format.

## Using the Copy and Paste Feature

You can cut, copy, and paste text between virtual machines and between applications running in virtual machines.

You can also cut, copy, and paste images, plain text, formatted text, and email attachments between applications running on the host system and applications running in virtual machines.

### Copy and Paste Requirements and Restrictions

The copy and paste feature has certain requirements and restrictions.

- You must install VMware Tools in a virtual machine to use the copy and paste feature.
- The copy and paste feature works with Linux and Windows hosts and Linux, Windows, and Solaris 10 guests only.
- The copy and paste feature requires Linux hosts and guests to run X Windows and Solaris 10 guests to run an Xorg X server and JDS/Gnome.
- Copying and pasting email attachments is restricted to images or files smaller than 4 MB.
- Copying and pasting plain text and formatted text (including the formatting) is restricted to amounts less than 4MB.
- Copying and pasting text is restricted to text in languages that can be represented by Unicode characters.
- Workstation Player uses the PNG format to encode images that are copied and pasted. Copying and pasting images is restricted to images smaller than 4 MB after conversion to PNG format.
- You cannot copy and paste files between virtual machines.

## Download a Virtual Appliance in Workstation Player

You can download a virtual appliance in Workstation Player. A virtual appliance is a prebuilt, preconfigured, and ready-to-run software application that is packaged with the operating system in a virtual machine.

### Procedure

- ◆ Select **File > Download a Virtual Appliance**.

A Web browser opens to the Virtual Appliance Marketplace page on the VMware Web site. You can browse to and download virtual appliances from this page.

## Remove a Virtual Machine from the Library in Workstation Player

When you open a virtual machine in Workstation Player, it is added to the virtual machine library. You can remove a virtual machine that you are not using from the library.

Removing a virtual machine from the library does not delete the virtual machine or any of its files from the host file system. The virtual machine is removed only from the library. If you open the virtual machine again, the virtual machine is added back to the library.

### Prerequisites

Power off the virtual machine.

### Procedure

- ◆ Select the virtual machine, right-click, and select **Remove VM from the Library**.

The virtual machine is removed from the library without any confirmation.

## Email Address Collection in Workstation Player

The trial version of Workstation Player prompts you for your email address when you use it for the first time.

You can use Workstation Player free of charge for non-commercial use. When you use Workstation Player for the first time, you can enter your email address and use it free of charge, or you can enter your purchased license key to use Workstation Player and have access to additional features.

## Uninstall Workstation Player

You must uninstall the previous version of Workstation Player before you can install the latest version.

### Procedure

- ◆ Type the command `vmware-installer -u vmware-player`.

The uninstall program lets you specify whether to preserve your configuration files.

# Changing Workstation Player Preference Settings

# 4

Workstation Player preference settings are global configuration settings that apply to Workstation Player and the virtual machines that you run in Workstation Player.

To change Workstation Player preference settings, select **Player > File > Preferences**.

This chapter includes the following topics:

- [“Configuring Close Behavior Preference Settings,”](#) on page 23
- [“Configuring Software Updates Settings,”](#) on page 24
- [“Sending System Data and Usage Statistics to VMware,”](#) on page 25

## Configuring Close Behavior Preference Settings

Close behavior preference settings control what Workstation Player does with virtual machines when you close them.

To configure close behavior preference settings, select **File > Preferences**.

**Table 4-1.** Close Behavior Preference Settings

Setting	Description
<b>Suspend the virtual machine</b>	The virtual machine is suspended when you close it. The next time you start Workstation Player, the virtual machine resumes operation from the point at which it was suspended.
<b>Power off the virtual machine</b>	The virtual machines is powered off when you close it. The next time you start Workstation Player, the virtual machine is in a powered off state.
<b>Leave the virtual machine running</b>	The virtual machine remains running in the background when you close it. The next time you start Workstation Player, the virtual machine is in a powered on state.
<b>Confirm before closing a virtual machine</b>	Workstation Player prompts you for confirmation when you close a virtual machine.
<b>Return to the VM Library after closing a virtual machine</b>	Workstation Player returns the virtual machines to the library after you close it. You can open another virtual machine or edit virtual machine settings.

## Configuring Software Updates Settings

Software updates settings control when Workstation Player downloads software updates to the host system and whether it uses a proxy server to connect to the VMware Update Server.

To configure software updates settings, select **Edit > Preferences > Updates**.

**Table 4-2.** Software Update Preference Settings

Setting	Description
<b>Check for product updates on startup</b>	Check for new versions of the application and installed components when you start Workstation Player. This setting is selected by default.
<b>Check for new software components as needed</b>	Check for a new version of a component when a component, such as VMware Tools, is required. When this setting is selected, Workstation Player verifies if a new version is available to download and install.
<b>Download All Components Now</b>	Manually download all of the available software components to the host system. Click this button if you are planning to use a virtual machine at a later time when you do not have access to the Internet.
<b>Connection Settings</b>	Click this button to configure a proxy server to connect to the VMware Update Server.

## Configuring Connection Settings for a Proxy Server

You can configure connection settings to use a proxy server to connect to the VMware Update Server.

To configure proxy connection settings, select **Edit > Preferences > Updates** and click **Connection Settings**.

**Table 4-3.** Connection Settings

Setting	Description
<b>No proxy</b>	Do not use a proxy server.
<b>Windows proxy settings</b>	(Windows hosts only) Workstation Player uses the host proxy settings from the <b>Connections</b> tab in the Internet Options control panel to access the VMware Update Server. Click <b>Internet Options</b> to set the guest connection options.
<b>System proxy settings</b>	(Linux hosts only) Workstation Player uses the host proxy settings to access the VMware Update Server.
<b>Manual proxy settings</b>	Select an HTTP or SOCKS proxy, specify the proxy server address, and designate a port number to access the VMware Update Server.
<b>Username and Password</b>	The username and password to use for proxy server authentication. On Linux hosts, if either the <b>Username</b> or <b>Password</b> text box is blank, Workstation Player uses the username and password set in the gnome settings.

You must restart Workstation Player for proxy setting changes to take effect.

## Understanding the Automatic Software Update Process

When you enable automatic software updates, you are always aware of the latest releases from VMware.

By keeping your software up-to-date, you can take advantage of new product features and performance improvements, ensure that your system includes the latest patches, and obtain timely support for new guest operating systems. You can enable the automatic software update feature when you install Workstation Player or by configuring Workstation Player preference settings. You can disable the feature at any time.



To determine if software updates are available, the VMware software updates feature securely sends the following anonymous information to VMware.

- A universal unique identifier (UUID), which it uses to identify each individual system
- The product name, the product version, and the build number
- Your host operating system name, version, and the locale setting

The VMware software updates feature does not collect any personal data, such as your name, address, telephone number, or mail address. Your product license key and MAC address are not sent to VMware, and VMware does not store your IP address with the data that it receives from you.

VMware might use the information it receives from the software update feature for product planning purposes. VMware limits access to your data and uses industry-standard controls to protect your information, including physical access controls, Internet firewalls, intrusion detection, and network monitoring.

The information collected by the VMware software updates feature is handled in accordance with [VMware Privacy Policy](#).

## Sending System Data and Usage Statistics to VMware

The **User experience improvement program** setting controls whether you participate in the VMware User Experience Improvement Program.

To participate in or opt out of the program, select or deselect the **Help improve VMware Player** check box.

When you participate in the program, Workstation Player sends anonymous system data and usage statistics to VMware. Workstation Player creates log files for the collected data and stores the data on the host computer.

**Table 4-4.** User Experience Improvement Program Log Files

Filename	Host Operating System	Log File Location	Description
playerUploadedData.log	Windows Server 2008 R2, Windows 7, Windows 8, Windows 10	\Users\ <i>user</i> \AppData\Local\VMware	The most recent data uploaded to the VMware server.
playerUploadedData.log	Linux	~/ .vmware	The most recent data uploaded to the VMware server.

**NOTE** The data collection process does not affect the performance of your computer.

## Participating in the User Experience Improvement Program

When you participate in the VMware User Experience Improvement Program, your computer sends anonymous information to VMware. Participation in the program is voluntary and you can opt out at any time.

### Types of Data Collected

The data collected by the VMware User Experience Improvement Program might include product data, product usage information, product performance information, and system configuration information.

Product data typically includes information such as the product name, version, build number, and configuration settings. This information helps VMware compare data from identical installations and determine popular configurations.

Product usage information might include menu items selected, toolbar buttons pressed, virtual machines run, and virtual machine configuration settings. This information helps VMware identify usage patterns, such as the most popular features, how many virtual machines users create, how many virtual machines are run concurrently, which operating systems are the most popular, and what virtual machine settings are typically selected.

Product performance data might include errors that occur and measurements, such as virtual machine suspend and resume times, uptime, or application startup time.

System configuration information might include the operating system that your computer is currently running, how many processors are in your computer and the processor models, how much memory is installed, how many network connections are available, the video cards and video drivers that are installed, and screen resolutions for display devices. This information helps VMware identify the system configurations that best match customer environments during testing and to plan future development based on hardware industry trends and the adoption of new technologies.

Not all of the available information is collected from every system every time data is sent to VMware. Some information is included only from select installations and certain information, such as error messages, is collected only when it is generated.

VMware uses a universal unique identifier (UUID) to identify information from different machines.

### **When the Data Is Transmitted to VMware**

Data is typically collected on your system and transmitted to VMware when you start Workstation Player. If your computer does not have access to the Internet, the information is collected and sent to VMware the next time you start Workstation Player. Data might also be sent to VMware at other times, such as during a check for software updates. Data is encrypted and transmitted over a secure SSL connection so that it cannot be read by other Internet users.

Workstation Player stores all of the information that it sends to VMware on your system in clear text. The files are located in the same directory as your log files and are named *productnameUploadedData*.log.

### **Privacy Protection**

VMware does not collect any personal data, such as your name, address, telephone number, or mail address. Your product license key and MAC address are not sent to VMware, and VMware does not store your IP address with the data that it receives from you.

VMware limits access to your data and uses industry-standard controls to protect your information, including physical access controls, Internet firewalls, intrusion detection, and network monitoring. The information collected by the VMware User Experience Improvement Program is handled in accordance with [VMware Privacy Policy](#).

---

**NOTE** The User Improvement Program is not Spyware. Spyware collects information or acts on your computer without your full knowledge or consent.

---

### **Opting Out of the Program**

You can join or end participation in the VMware User Experience Improvement Program at any time by changing Workstation Player preference settings.

See [“Sending System Data and Usage Statistics to VMware,”](#) on page 25 for more information.

# Creating Virtual Machines in Workstation Player

# 5

You use the New Virtual Machine wizard to create virtual machines. The New Virtual Machine wizard guides you through the steps for setting up a new virtual machine, helping you set options and parameters.

To start the New Virtual Machine wizard, select **Player > File > New Virtual Machine**, or click **Create a New Virtual Machine** on the welcome page.

This chapter includes the following topics:

- [“Understanding Virtual Machines,”](#) on page 27
- [“Preparing to Create a Virtual Machine,”](#) on page 27
- [“Create a Virtual Machine,”](#) on page 31
- [“Use Easy Install to Install a Guest Operating System,”](#) on page 32
- [“Install a Guest Operating System Manually,”](#) on page 33
- [“Importing Virtual Machines,”](#) on page 34

## Understanding Virtual Machines

A virtual machine is a software computer that, like a physical machine, runs an operating system and applications. A virtual machine uses the physical resources of the physical machine on which it runs, which is called the host system. Virtual machines have virtual devices that provide the same functionality as physical hardware, but with the additional benefits of portability, manageability, and security.

A virtual machine has an operating system and virtual resources that you manage in much the same way that you manage a physical computer. For example, you install an operating system in a virtual machine in the same way that you install an operating system on a physical computer. You must have a CD-ROM, DVD, or ISO image that contains the installation files from an operating system vendor.

## Preparing to Create a Virtual Machine

When you create a virtual machine, you specify or accept defaults for a few basic virtual machine settings.

- How you want to install the guest operating system.
- A name for the virtual machine and a location for the virtual machine files.
- The size of the virtual disk and whether to split the disk into multiple virtual disk files.
- Whether to customize hardware settings, including memory allocation, number of virtual processors, and network connection type.

## Selecting a Guest Operating System

The New Virtual Machine prompts you to select the source media for the operating system that will run inside the virtual machine. You can specify an installer disc inserted in a physical drive, an ISO image file, or you can instruct the New Virtual Machine wizard to create a virtual machine that has a blank hard disk.

If you select an installer disc or an ISO image file and the operating system supports Easy Install, the guest operating system installation is automated and VMware Tools is installed. If the installer disc or ISO image file contains a product key number and is already set up to perform an unattended installation, the only benefit of using Easy Install is the automatic installation of VMware Tools.

If you instruct the New Virtual Machine wizard to create a virtual machine that has a blank hard disk, the wizard prompts you to specify an operating system and version and you must install the guest operating system manually after the virtual machine is created. Workstation Player uses this information to set the appropriate default values, name files associated with the virtual machine, adjust performance settings, and work around special behaviors and bugs in the guest operating system. If the operating system you plan to install is not listed in the wizard, select **Other** for both the operating system and version.

If you are installing an operating system that supports Easy Install but you do not want to use Easy Install, you can instruct the wizard to create a virtual machine that has a blank disk and install the guest operating system manually.

## Supported Guest Operating Systems

A guest operating system can be Windows, Linux, and other commonly used operating systems.

For the most recent list of guest operating systems that VMware products support, see the VMware Compatibility Guide site: <http://www.vmware.com/resources/compatibility/search.php>.

Workstation Player is not listed, but the information for Workstation Pro is applicable to Workstation Player. Operating systems that are not listed are not supported for use in a virtual machine.

For instructions about how to install the most common guest operating systems, see the *VMware Guest Operating System Installation Guide*: <http://partnerweb.vmware.com/GOSIG/home.html>.

## Providing Easy Install Information

When the New Virtual Wizard detects an operating system that supports Easy Install, the wizard prompts you for information about the guest operating system. After the virtual machine is created, the guest operating system installation is automated and VMware Tools is installed.

For Windows guest operating systems, you must provide the following Easy Install information.

**Table 5-1.** Easy Install Information for Windows Guests

Easy Install Prompt	Description
Windows product key	(Optional) Type a product key unless the installation media contains a volume license product key. If you provide a product key here, you are not prompted to provide a product key when you install the guest operating system.
Version of Windows to install	Select the Windows operating system edition to install.
Full name	The name to use to register the guest operating system. Do not use the name Administrator or Guest. If you use one of these names, you must enter a different name when you install the guest operating system.

**Table 5-1.** Easy Install Information for Windows Guests (Continued)

Easy Install Prompt	Description
<b>Password</b>	(Optional) The password to use for an account with Administrator permissions on Windows operating systems other than Windows 2000. On Windows 2000, this is the password for the Administrator account. On Windows XP Home, an Administrator account without a password is created and you are automatically logged in to the guest operating system.
<b>Log on automatically (requires a password)</b>	(Optional) Save your login credentials and bypass the login dialog box when you power on the virtual machine. You must enter a name and password to use this feature.

For Linux guest operating systems, you must provide the following Easy Install information.

**Table 5-2.** Easy Install Information for Linux Guests

Prompt	Description
<b>Full name</b>	The name to use to register the guest operating system, if registration is required. Workstation Player uses the first name to create the host name for the virtual machine.
<b>User name</b>	Your user name. You can use lowercase letters, numbers, and dashes, but avoid using user names that begin with a dash. Do not use the name root. Some operating systems set up sudo access for this user and other operating systems require this user to use su to obtain root privileges.
<b>Password</b>	The password for the <b>User name</b> and the root user.

See [“Use Easy Install to Install a Guest Operating System,”](#) on page 32.

## Specifying the Virtual Machine Name and File Location

The New Virtual Machine wizard prompts you for a virtual machine name and a directory for the virtual machine files.

The name of the default directory for virtual machine files is derived from the name of the guest operating system, for example, `Microsoft Windows 10 x64`.

For standard virtual machines, the default directory for virtual machine files is located in the virtual machine directory. For best performance, do not place the virtual machines directory on a network drive. If other users need to access the virtual machine, consider placing the virtual machine files in a location that is accessible to those users.

For shared virtual machines, the default directory for virtual machine files is located in the shared virtual machines directory. Shared virtual machine files must reside in the shared virtual machines directory.

### Virtual Machines Directory

Workstation Player stores standard virtual machines in the virtual machines directory.

The default location of the virtual machines directory depends on the host operating system.

**Table 5-3.** Default Virtual Machines Directory

Host Operating System	Default Location
Windows Server 2008 R2 Windows Server 2012 R2	C:\Documents and Settings\ <i>username</i> \My Documents\My Virtual Machines <i>username</i> is the name of the currently logged-in user.
Windows 7 Windows 8 Windows 10	C:\Users\ <i>username</i> \Documents\Virtual Machines <i>username</i> is the name of the currently logged in user.
Linux	<i>homedir</i> /vmware <i>homedir</i> is the home directory of the currently logged in user.

## Specifying Disk Capacity for a Virtual Machine

If you instruct the New Virtual Machine wizard to create a new virtual disk during a custom configuration, the wizard prompts you to set the size of the virtual disk and specify whether to split the disk into multiple virtual disk (.vmdk) files.

A virtual disk is made up of one or more virtual disk files. Virtual disk files store the contents of the virtual machine hard disk drive. Almost all of the file content is virtual machine data. A small portion of the file is allotted to virtual machine overhead. If the virtual machine is connected directly to a physical disk, the virtual disk file stores information about the partitions that the virtual machine is allowed to access.

You can set a size between 0.001 GB and 8 TB for a virtual disk file. You can also select whether to store a virtual disk as a single file or split it into multiple files.

Select **Split virtual disk into multiple files** if the virtual disk is stored on a file system that has a file size limitation. When you split a virtual disk less than 950 GB, a series of 2-GB virtual disk files are created. When you split a virtual disk greater than 950 GB, two virtual disk files are created. The maximum size of the first virtual disk file is 1.9 TB and the second virtual disk file stores the rest of the data.

Disk space is not preallocated for the disk. The actual files that the virtual disk uses start small and expand to their maximum size as needed. The main advantage of this approach is the smaller file size. Smaller files require less disk space and are easier to move to a new location.

After you create a virtual machine, you can edit virtual disk settings and add additional virtual disks.

## Disk Size Compatibility

The size of a virtual disk is limited to 8 TBs. However, your hardware version, bus type, and controller type also impact the size of your virtual disks.

Workstation Hardware Version	Bus Type	Controller Type	Maximum Disk Size
10, 11, 12	IDE	ATAPI	8192 GB (8TB)
10, 11, 12	SCSI	BusLogic	2040 GB (2TB)
10, 11, 12	SCSI	LSI Logic	8192 GB (8TB)
10, 11, 12	SCSI	LSI Logic SAS	8192 GB (8TB)
10, 11, 12	SATA	AHCI	8192 GB (8TB)
9, 8, 7, 6.5	All	All	2040 GB (2TB)
6.0, 5	All	All	950 GB

To discover your controller type, open the virtual machine .vmx file. The value of the setting `scsi0.virtualDev` determines your controller type.

Value	Controller Type
Blank or not present	BusLogic
lsilogic	LSI Logic
lsisas1068	LSI Logic SAS

## Customizing Virtual Machine Hardware

You can click **Customize Hardware** on the last page of the New Virtual Machine wizard to customize the virtual machine hardware.

You can change the default hardware settings, including memory allocation, number of virtual CPUs, CD/DVD and floppy drive settings, and the network connection type.

## Worksheet for Creating a Typical Virtual Machine

You can print this worksheet and write the values to specify when you create a typical virtual machine.

**Table 5-4.** Worksheet: Typical Virtual Machine

Option	Write Your Value Here
Guest operating system source	
Guest operating system type for manual installation	
Easy Install information for Windows guests	
<ul style="list-style-type: none"> <li>■ Product key</li> <li>■ Operating system version</li> <li>■ Full name</li> <li>■ Password</li> <li>■ Credentials for automatic login</li> </ul>	
Easy Install information for Linux guests	
<ul style="list-style-type: none"> <li>■ Full name</li> <li>■ User name</li> <li>■ Password</li> </ul>	
Virtual machine name	
Virtual machine location	
Disk capacity	

## Create a Virtual Machine

You create a virtual machine in Workstation Player by running the New Virtual Machine wizard.

### Prerequisites

- Verify that you have the information the New Virtual Machine wizard requires to create a virtual machine. See [“Preparing to Create a Virtual Machine,”](#) on page 27.
- Verify that the guest operating system you plan to install is supported. See the online VMware Compatibility Guide, which is available on the VMware Web site.
- See the *VMware Guest Operating System Installation Guide* for information about the guest operating system you plan to install.
- If you are installing the guest operating system from an installer disc, insert the installer disc in the CD-ROM drive in the host system.

- If you are installing the guest operating system from an ISO image file, verify that the ISO image file is in a directory that is accessible to the host system.

### Procedure

- 1 Select **File > Create a New Virtual Machine**.
- 2 Select the source of the guest operating system.

Option	Description
<b>Use a physical disc</b>	Select the physical drive where you inserted the installation disc.
<b>Use an ISO image</b>	Type or browse to the location of the ISO image file.
<b>Install the guest operating system later</b>	Create a virtual machine that has a blank disk. You must install the guest operating system manually after the virtual machine is created.

- 3 Specify information about the guest operating system.

Option	Description
<b>You are using Easy Install</b>	Type the Easy Install information for the guest operating system.
<b>You are not using Easy Install</b>	Select the guest operating system type and version. If the guest operating system is not listed, select <b>Other</b> .

- 4 Type a virtual machine name and type or browse to the directory for the virtual machine files.
- 5 Select the virtual disk size and specify whether the disk should be split into multiple files.
- 6 (Optional) Click **Customize Hardware** to change the default hardware settings.  
You can also modify virtual hardware settings after you create the virtual machine.
- 7 (Optional) Select **Power on this virtual machine after creation** to power on the virtual machine after it is created.  
This option is not available if you are installing the guest operating system manually.
- 8 Click **Finish** to create the virtual machine.

If you are using Easy Install, guest operating system installation begins when the virtual machine powers on. The guest operating system installation is automated and typically runs without requiring any input from you. After the guest operating system is installed, Easy Install installs VMware Tools.

If you are not using Easy Install, the virtual machine appears in the library.

### What to do next

If you used Easy Install and the virtual machine did not power on when the installation finished, power on the virtual machine to start the guest operating system installation. See [“Use Easy Install to Install a Guest Operating System,”](#) on page 32.

If you did not use Easy Install, install the guest operating system manually. See [“Install a Guest Operating System Manually,”](#) on page 33.

## Use Easy Install to Install a Guest Operating System

When you use Easy Install, you usually do not need to provide information during guest operating system installation.

If you did not provide all of the Easy Install information in the New Virtual Machine wizard, you might be prompted for a product key, username, or password.

Also, if the guest operating system installation consists of multiple discs or ISO image files, the installer might prompt you for the next disk.



**Procedure**

- If the installer prompts you for a product key, username, or password, click in the virtual machine window and type the required information.

Mouse and keyboard input are captured by the virtual machine.

- If you are using physical discs and the installer prompts you for the next disk, use the CD-ROM or DVD drive on the host system.
- If you are using multiple ISO image files and the installer prompts you for the next disk, select the next ISO image file.

Option	Description
<b>Windows host</b>	Click <b>Change Disk</b> and browse to the next ISO image file.
<b>Linux host</b>	<ol style="list-style-type: none"> <li>a Select <b>Virtual Machine &gt; Removable Devices &gt; CD/DVD &gt; Settings</b> and browse to the next ISO image file.</li> <li>b Select <b>Connected</b>.</li> <li>c Click <b>Save</b>.</li> </ol>

## Install a Guest Operating System Manually

Installing a guest operating system in a virtual machine is similar to installing an operating system on a physical computer. If you do not use Easy Install when you create a virtual machine in the New Virtual Machine wizard, you must install the guest operating system manually.

You can install a guest operating system from an installer disc or ISO image file. You can also use a PXE server to install the guest operating system over a network connection. If the host configuration does not permit the virtual machine to boot from an installer disc, you can create an ISO image file from the installer disc.

**Prerequisites**

- Verify that the operating system is supported. See the online VMware Compatibility Guide on the VMware Web site.
- See the *VMware Guest Operating System Installation Guide* for information on the guest operating system that you are installing.

**Procedure**

- 1 If you are installing the guest operating system from an installer disc, configure the virtual machine to use a physical CD-ROM or DVD drive and configure the drive to connect at power on.
  - a Select the virtual machine and select **Virtual Machine > Virtual Machine Settings**.
  - b On the **Hardware** tab, select **CD/DVD drive**.
  - c Select **Connect at power on**.
  - d Select **Use physical drive** and select a the drive.
  - e Click **OK** to save your changes.
- 2 If you are installing the guest operating system from an ISO image file, configure the CD/DVD drive in the virtual machine to point to the ISO image file and configure the drive to connect at power on.
  - a Select the virtual machine and select **Virtual Machine > Virtual Machine Settings**.
  - b On the **Hardware** tab, select **CD/DVD drive**.
  - c Select **Connect at power on**.

- d Select **Use ISO image file** and browse to the location of the ISO image file.
- e Click **OK** to save your changes.
- 3 If you are installing the guest operating system from an installer disc, insert the disc in the CD-ROM or DVD drive.
- 4 Power on the virtual machine.
- 5 Follow the installation instructions provided by the operating system vendor.
- 6 If the operating system consists of multiple installer discs and you are prompted to insert the next disc, insert the next disc in the physical drive.
- 7 If the operating system consists of multiple ISO image files, select the image file for the next CD.
  - a Select **Virtual Machine > Removable Devices > CD/DVD > Disconnect** and disconnect from the current ISO image file..
  - b Select **Virtual Machine > Removable Devices > CD/DVD > Settings** and select the next ISO image file.
  - c Select **Connected** and click **OK**.
- 8 Use the standard tools in the operating system to configure its settings.

#### **What to do next**

Install VMware Tools. You should install VMware Tools before you activate the license for the operating system. See [“Installing VMware Tools,”](#) on page 37.

## **Importing Virtual Machines**

You can import virtual machines in other formats into Workstation Player.

### **Import an Open Virtualization Format Virtual Machine**

You can import an Open Virtualization Format (OVF) virtual machine and run it in Workstation Player. Workstation Player converts the virtual machine from OVF format to VMware runtime (.vmx) format. You can import both .ovf and .ova files.

OVF is a platform-independent, efficient, extensible, and open packaging and distribution format for virtual machines. For example, you can import OVF virtual machines exported from VMware Fusion™ or Oracle VM VirtualBox into Workstation Player. You can import OVF 1.0 and later files only.

You can also use the standalone OVF Tool to convert an OVF virtual machine to VMware runtime format. The standalone version of the OVF Tool is installed in the Workstation Player installation directory under OVFTool. See the *OVF Tool User Guide* on the VMware Web site for information on using the OVF Tool.

#### **Procedure**

- 1 In Workstation Player, select **File > Open a Virtual Machine**.
- 2 Browse to the .ovf or .ova file and click **Open**.
- 3 Type a name for the virtual machine, type or browse to the directory for the virtual machine files, and click **Import**.

Workstation Player performs OVF specification conformance and virtual hardware compliance checks. A status bar indicates the progress of the import process.

- 4 If the import fails, click **Retry** to try again, or click **Cancel** to cancel the import.

If you retry the import, Workstation Player relaxes the OVF specification conformance and virtual hardware compliance checks and you might not be able to use the virtual machine in Workstation Player.

After Workstation Player successfully imports the OVF virtual machine, the virtual machine appears in the virtual machine library.



# Installing and Upgrading VMware Tools

# 6

Installing VMware Tools is part of the process of creating a new virtual machine. Upgrading VMware Tools is part of the process of keeping virtual machines up to current standards.

For the best performance and latest updates, install or upgrade VMware Tools to match the version of Workstation Player that you are using. Other compatibility options are also available.

For more information about using VMware Tools, see *Installing and Configuring VMware Tools* at <http://www.vmware.com/pdf/vmware-tools-installation-configuration.pdf>.

This chapter includes the following topics:

- [“Installing VMware Tools,”](#) on page 37
- [“Upgrading VMware Tools,”](#) on page 38
- [“Configure Software Update Preferences,”](#) on page 39
- [“Configure VMware Tools Updates for a Specific Virtual Machine,”](#) on page 40
- [“Manually Installing and Upgrading VMware Tools,”](#) on page 40
- [“Start the VMware User Process Manually If You Do Not Use a Session Manager,”](#) on page 46
- [“Uninstalling VMware Tools,”](#) on page 46

## Installing VMware Tools

Although your guest operating systems can run without VMware Tools, many VMware features are not available until you install VMware Tools. When you install VMware Tools, the utilities in the tools suite enhances the performance of your virtual machine’s guest operating system and improves the management of your virtual machines.

Installing VMware Tools is part of the process of creating new virtual machines, and upgrading VMware Tools is part of the process of keeping your virtual machine up to current standards. For information about creating virtual machines, see the *Virtual Machine Administration Guide*.

The installers for VMware Tools are ISO image files. An ISO image file looks like a CD-ROM to your guest operating system. Each type of guest operating system, including Windows, Linux, Solaris, FreeBSD, and NetWare, has an ISO image file. When you select the command to install or upgrade VMware Tools, the virtual machine’s first virtual CD-ROM disk drive temporarily connects to the VMware Tools ISO file for your guest operating system.

You can use the Windows Easy Install or Linux Easy Install feature to install VMware Tools as soon as the operating system is finished installing.

The most recent versions of the ISO files are stored on a VMware Web site. When you select the command to install or upgrade VMware Tools, the VMware product determines whether it has downloaded the most recent version of the ISO file for the specific operating system. If the latest version has not been downloaded or if no VMware Tools ISO file for that operating system has ever been downloaded, you are prompted to download the file.

- For information about installing or upgrading VMware Tools in Windows virtual machines, see [“Manually Install or Upgrade VMware Tools in a Windows Virtual Machine,”](#) on page 40 and [Automate VMware Tools Installation for Multiple Windows Virtual Machines.](#)
- For information about installing or upgrading VMware Tools in Linux virtual machines, see [“Manually Install or Upgrade VMware Tools in a Linux Virtual Machine,”](#) on page 41.
- For information about installing or upgrading VMware Tools in Solaris virtual machines, see [“Manually Install or Upgrade VMware Tools in a Solaris Virtual Machine,”](#) on page 44.
- For information about installing or upgrading VMware Tools in NetWare virtual machines, see [“Manually Install or Upgrade VMware Tools in a NetWare Virtual Machine,”](#) on page 43.
- For information about installing or upgrading VMware Tools in FreeBSD virtual machines, see [“Manually Install or Upgrade VMware Tools in a FreeBSD Virtual Machine,”](#) on page 45.

## Upgrading VMware Tools

You can upgrade VMware Tools manually, or you can configure virtual machines to check for and install newer versions of VMware Tools.

The guest operating system checks the version of VMware Tools when you power on a virtual machine. The status bar of your virtual machine displays a message when a new version is available.

In Windows virtual machines, you can set VMware Tools to notify you when an upgrade is available. If this notification option is enabled, the VMware Tools icon in the Windows taskbar includes a yellow caution icon when a VMware Tools upgrade is available.

To install a VMware Tools upgrade, you can use the same procedure that you used for installing VMware Tools the first time. Upgrading VMware Tools means installing a new version.

For Windows and Linux guest operating systems, you can configure the virtual machine to automatically upgrade VMware Tools. Although the version check is performed when you power on the virtual machine, on Windows guest operating systems, the automatic upgrade occurs when you power off or restart the virtual machine. The status bar displays the message `Installing VMware Tools ...` when an upgrade is in progress.

---

**IMPORTANT** After you upgrade VMware Tools on Linux guest operating systems, new network modules are available but are not used until you either restart the guest operating system or stop networking, unload and reload the VMware networking kernel modules, and restart networking. This behavior means that even if VMware Tools is set to automatically upgrade, you must restart or reload network modules to make new features available.

This strategy avoids network interruptions and allows you to install VMware Tools over SSH.

Upgrading VMware Tools on Windows guest operation systems automatically installs the WDDM graphics drivers. The WDDM graphics driver makes the sleep mode available in guest OS power settings to adjust the sleep options. For example, you can use the sleep mode setting **Change when the computer sleeps** to configure your guest OS to automatically go to sleep mode after a certain time or prevent your guest OS from automatically switching to sleep mode after being idle for some time.

---

Some features in a particular release of a VMware product might depend on installing or upgrading to the version of VMware Tools included in that release. Upgrading to the latest version of VMware Tools is not always necessary. Newer versions of VMware Tools are compatible with several host versions. To avoid unnecessary upgrades, evaluate whether the added features and capabilities are necessary for your environment.

## Configure Software Update Preferences

You can configure Workstation Player to automatically download software updates, including new versions of VMware Tools. When you select automatic software updates, Workstation Player always includes the latest support for guest operating systems and virtual machines always have the latest version of VMware Tools.

### Procedure

- 1 Select **File > Preferences**.
- 2 Select when Workstation Player checks for software updates.

You can select one, both, or neither option. If you deselect all of the software update options, automatic software updates are disabled.

Option	Description
<b>Check for product updates on startup</b>	Checks for new versions of Workstation Player available to download and install when you start Workstation Player. This option is enabled by default. If you do not select this option, your system does not get the latest product updates.
<b>Check for software components as needed</b>	When a software component is required, for example, when you install VMware Tools, Workstation Player checks for a new version of the component.
<b>Download All Components Now</b>	Immediately download all of the available software components to the host system. This option is useful if you are planning to use the virtual machine at a later time when you do not have access to the Internet.

- 3 If you use a proxy server to connect to the VMware Update Server, click **Connection Settings** to configure the proxy settings.

Option	Description
<b>No proxy</b>	Select this option if you do not use a proxy server. This is the default setting.
<b>System proxy settings</b>	Workstation Player uses the host proxy settings to access the VMware Update Server.
<b>Manual proxy settings</b>	<ol style="list-style-type: none"> <li>a Select HTTP or SOCKS, specify the proxy server address and designate a port number to access the VMware Update Sever.</li> <li>b Type a username and password to use for proxy authentication.</li> </ol> If you leave either the <b>Username</b> or the <b>Password</b> text box blank, Workstation Player does not use either value (Windows hosts) or it uses the username and password set in the gnome settings (Linux hosts).

- 4 Click **OK** to save your changes.

## Configure VMware Tools Updates for a Specific Virtual Machine

You can configure virtual machines that have Windows or Linux guest operating systems to update VMware Tools automatically. For other guest operating systems, you must manually update VMware Tools.

Automatic VMware Tools updates are supported for versions of VMware Tools included in Workstation 5.5 and later virtual machines only. Automatic updates are not supported for versions of VMware Tools included in virtual machines created with VMware Server 1.x.

---

**IMPORTANT** If you update VMware Tools in a Windows virtual machine that was created with Workstation 4 or 5.x, some new components are not installed. To install the new components, you must uninstall the old version of VMware Tools and install the new version of VMware Tools.

---

### Procedure

- 1 Select the virtual machine and select **Virtual Machine > Virtual Machine Settings**.
- 2 On the **Options** tab, select **VMware Tools**.
- 3 Select a VMware Tools update setting.

Option	Description
<b>Update manually (do nothing)</b>	You must update VMware Tools manually. The virtual machine status bar indicates when a new version of VMware Tools is available.
<b>Update automatically</b>	VMware Tools is updated automatically. The virtual machine status bar indicates when an update is in progress. If you are logged in to a Windows guest, a restart prompt appears after the update is complete. If you are not logged in, the operating system restarts without prompting. An auto-update check is performed as part of the boot sequence when you power on the virtual machine. If the virtual machine was suspended and you resume it or restore it to a snapshot during the boot sequence before this check, the automatic update occurs as planned. If you resume the virtual machine or restore it to a snapshot after the check, the automatic update does not occur.
<b>Use application default (currently update manually)</b>	Use the default VMware Tools update behavior. The default behavior is set in Workstation Player preferences.

- 4 Click **OK** to save your changes.

## Manually Installing and Upgrading VMware Tools

You can manually install or upgrade VMware Tools on Windows, Linux, NetWare, Solaris, and FreeBSD virtual machines.

If you are installing VMware Tools in a number of Windows virtual machines, you can automate its installation by using the VMware Tools setup.exe at a command prompt in the guest operating system. See *Installing and Configuring VMware Tools* at <http://www.vmware.com/pdf/vmware-tools-installation-configuration.pdf> for more information.

### Manually Install or Upgrade VMware Tools in a Windows Virtual Machine

All supported Windows guest operating systems support VMware Tools.

Before you upgrade VMware Tools, consider the environment that the virtual machine runs in and weigh the benefits of different upgrade strategies. For example, you can install the latest version of VMware Tools to enhance the performance of the virtual machine's guest operating system and improve virtual machine management, or you can continue using the existing version to provide more flexibility and avoid downtime in your environment.



### Prerequisites

- Power on the virtual machine.
- Verify that the guest operating system is running.
- If you connected the virtual machine's virtual CD/DVD drive to an ISO image file when you installed the operating system, change the setting so that the virtual CD/DVD drive is configured to autodetect a physical drive.

The autodetect setting enables the virtual machine's first virtual CD/DVD drive to detect and connect to the VMware Tools ISO file for a VMware Tools installation. This ISO file looks like a physical CD to your guest operating system. Use the virtual machine settings editor to set the CD/DVD drive to autodetect a physical drive.

- Log in as an administrator unless you are using an older Windows operating system. Any user can install VMware Tools in a Windows 95, Windows 98, or Windows ME guest operating system. For operating systems newer than these, you must log in as an administrator.

### Procedure

- 1 On the host, from the Workstation Player menu bar, select **Virtual Machine > Install VMware Tools**.  
If an earlier version of VMware Tools is installed, the menu item is **Update VMware Tools**.
- 2 If you are installing VMware Tools for the first time, click **OK** on the Install VMware Tools information page.  
If autorun is enabled for the CD-ROM drive in the guest operating system, the VMware Tools installation wizard starts.
- 3 If autorun is not enabled, to manually launch the wizard, click **Start > Run** and enter **D:\setup.exe**, where **D:** is your first virtual CD-ROM drive. Use **D:\setup64.exe** for 64-bit Windows guest operating system.
- 4 Follow the on-screen instructions.
- 5 If the New Hardware wizard appears, follow the prompts and accept the defaults.
- 6 If you are installing a beta or RC version of VMware Tools and you see a warning that a package or driver is not signed, click **Install Anyway** to complete the installation.
- 7 When prompted, reboot the virtual machine.

### What to do next

If a new virtual hardware version is available for the virtual machine, upgrade the virtual hardware.

## Manually Install or Upgrade VMware Tools in a Linux Virtual Machine

For Linux virtual machines, you manually install or upgrade VMware Tools by using the command line.

### Prerequisites

- Power on the virtual machine.
- Verify that the guest operating system is running.
- Because the VMware Tools installer is written in Perl, verify that Perl is installed in the guest operating system.

**Procedure**

- 1 On the host, from the Workstation Player menu bar, select **Virtual Machine > Install VMware Tools**.

If an earlier version of VMware Tools is installed, the menu item is **Update VMware Tools**.

- 2 In the virtual machine, log in to the guest operating system as root and open a terminal window.

- 3 Run the `mount` command with no arguments to determine whether your Linux distribution automatically mounted the VMware Tools virtual CD-ROM image.

If the CD-ROM device is mounted, the CD-ROM device and its mount point are listed as something like this:

```
/dev/cdrom on /mnt/cdrom type iso9660 (ro,nosuid,nodev)
```

- 4 If the VMware Tools virtual CD-ROM image is not mounted, mount the CD-ROM drive.

- a If a mount point directory does not already exist, create it.

```
mkdir /mnt/cdrom
```

Some Linux distributions use different mount point names. For example, on some distributions the mount point is `/media/VMware Tools` rather than `/mnt/cdrom`. Modify the command to reflect the conventions that your distribution uses.

- b Mount the CD-ROM drive.

```
mount /dev/cdrom /mnt/cdrom
```

Some Linux distributions use different device names or organize the `/dev` directory differently. If your CD-ROM drive is not `/dev/cdrom` or if the mount point for a CD-ROM is not `/mnt/cdrom`, modify the command to reflect the conventions that your distribution uses.

- 5 Change to a working directory, for example, `/tmp`.

```
cd /tmp
```

- 6 Delete any previous `vmware-tools-distrib` directory before you install VMware Tools.

The location of this directory depends on where you placed it during the previous installation. Often this directory is placed in `/tmp/vmware-tools-distrib`.

- 7 List the contents of the mount point directory and note the filename of the VMware Tools tar installer.

```
ls mount-point
```

- 8 Uncompress the installer.

```
tar xzpf /mnt/cdrom/VMwareTools-x.x.x-yyyy.tar.gz
```

The value `x.x.x` is the product version number, and `yyyy` is the build number of the product release.

If you attempt to install a tar installation over an RPM installation, or the reverse, the installer detects the previous installation and must convert the installer database format before continuing.

- 9 If necessary, unmount the CD-ROM image.

```
umount /dev/cdrom
```

If your Linux distribution automatically mounted the CD-ROM, you do not need to unmount the image.

- 10 Run the installer and configure VMware Tools.

```
cd vmware-tools-distrib
./vmware-install.pl
```

Usually, the `vmware-config-tools.pl` configuration file runs after the installer file finishes running.

- 11 Follow the prompts to accept the default values, if appropriate for your configuration.
- 12 Follow the instructions at the end of the script.

Depending on the features you use, these instructions can include restarting the X session, restarting networking, logging in again, and starting the VMware User process. You can alternatively reboot the guest operating system to accomplish all these tasks.

### What to do next

If a new virtual hardware version is available for the virtual machine, upgrade the virtual hardware.

## Manually Install or Upgrade VMware Tools in a NetWare Virtual Machine

For NetWare virtual machines, you manually install or upgrade VMware Tools by using the command line.

Before you upgrade VMware Tools, consider the environment that the virtual machine runs in and weigh the benefits of different upgrade strategies. For example, you can install the latest version of VMware Tools to enhance the performance of the virtual machine's guest operating system and improve virtual machine management, or you can continue using the existing version to provide more flexibility and avoid downtime in your environment.

### Prerequisites

- Power on the virtual machine.
- Verify that the guest operating system is running.
- Because the VMware Tools installer is written in Perl, verify that Perl is installed in the guest operating system.

### Procedure

- 1 On the host, from the Workstation Player menu bar, select **Virtual Machine > Install VMware Tools**.  
If an earlier version of VMware Tools is installed, the menu item is **Update VMware Tools**.
- 2 Load the CD-ROM driver so that the virtual CD-ROM device mounts the ISO image as a volume.

Operating System	Command
NetWare 6.5	LOAD CDDVD
NetWare 6.0 or NetWare 5.1	LOAD CD9660.NSS
NetWare 4.2 (not available in vSphere)	load cdrom

When the installation finishes, the message **VMware Tools for NetWare are now running** appears in the Logger Screen for NetWare 6.5 and NetWare 6.0 guest operating systems and in the Console Screen for NetWare 4.2 and 5.1 operating systems.

- 3 If the VMware Tools virtual disc (`netware.iso`) is attached to the virtual machine, right-click the CD-ROM icon in the status bar of the console window and select **Disconnect** to disconnect it.

### What to do next

If a new virtual hardware version is available for the virtual machine, upgrade the virtual hardware.

## Manually Install or Upgrade VMware Tools in a Solaris Virtual Machine

For Solaris virtual machines, you manually install or upgrade VMware Tools by using the command line.

Before you upgrade VMware Tools, consider the environment that the virtual machine runs in and weigh the benefits of different upgrade strategies. For example, you can install the latest version of VMware Tools to enhance the performance of the virtual machine's guest operating system and improve virtual machine management, or you can continue using the existing version to provide more flexibility and avoid downtime in your environment.

### Prerequisites

- Power on the virtual machine.
- Verify that the guest operating system is running.
- Because the VMware Tools installer is written in Perl, verify that Perl is installed in the guest operating system.

### Procedure

- 1 On the host, from the Workstation Player menu bar, select **Virtual Machine > Install VMware Tools**.

If an earlier version of VMware Tools is installed, the menu item is **Update VMware Tools**.

- 2 In the virtual machine, log in to the guest operating system as root and open a terminal window.
- 3 If the Solaris volume manager does not mount the CD-ROM under `/cdrom/vmwaretools`, restart the volume manager.

```
/etc/init.d/volmgt stop
/etc/init.d/volmgt start
```

- 4 Change to a working directory, for example, `/tmp`.

```
cd /tmp
```

- 5 Extract VMware Tools.

```
gunzip -c /cdrom/vmwaretools/vmware-solaris-tools.tar.gz | tar xf -
```

- 6 Run the installer and configure VMware Tools.

```
cd vmware-tools-distrib
./vmware-install.pl
```

Usually, the `vmware-config-tools.pl` configuration file runs after the installer file finishes running.

- 7 Follow the prompts to accept the default values, if appropriate for your configuration.
- 8 Follow the instructions at the end of the script.

Depending on the features you use, these instructions can include restarting the X session, restarting networking, logging in again, and starting the VMware User process. You can alternatively reboot the guest operating system to accomplish all these tasks.

### What to do next

If a new virtual hardware version is available for the virtual machine, upgrade the virtual hardware.

## Manually Install or Upgrade VMware Tools in a FreeBSD Virtual Machine

For FreeBSD virtual machines, you manually install or upgrade VMware Tools by using the command line.

Before you upgrade VMware Tools, consider the environment that the virtual machine runs in and weigh the benefits of different upgrade strategies. For example, you can install the latest version of VMware Tools to enhance the performance of the virtual machine's guest operating system and improve virtual machine management, or you can continue using the existing version to provide more flexibility and avoid downtime in your environment.

### Prerequisites

- Power on the virtual machine.
- Verify that the guest operating system is running.
- Because the VMware Tools installer is written in Perl, verify that Perl is installed in the guest operating system.

### Procedure

- 1 On the host, from the Workstation Player menu bar, select **Virtual Machine > Install VMware Tools**.

If an earlier version of VMware Tools is installed, the menu item is **Update VMware Tools**.

- 2 In the virtual machine, log in to the guest operating system as root and open a terminal window.
- 3 If the distribution does not automatically mount CD-ROMs, mount the VMware Tools virtual CD-ROM image.

For example, type `mount /cdrom`.

- 4 Change to a working directory, for example, `/tmp`.

```
cd /tmp
```

- 5 Untar the VMware Tools tar file.

```
tar xzpf /cdrom/vmware-freebsd-tools.tar.gz
```

- 6 If the distribution does not use automounting, unmount the VMware Tools virtual CD-ROM image.

```
umount /cdrom
```

- 7 Run the installer and configure VMware Tools.

```
cd vmware-tools-distrib
./vmware-install.pl
```

Usually, the `vmware-config-tools.pl` configuration file runs after the installer file finishes running.

- 8 Follow the prompts to accept the default values, if appropriate for your configuration.
- 9 Follow the instructions at the end of the script.

Depending on the features you use, these instructions can include restarting the X session, restarting networking, logging in again, and starting the VMware User process. You can alternatively reboot the guest operating system to accomplish all these tasks.

### What to do next

If a new virtual hardware version is available for the virtual machine, upgrade the virtual hardware.

## Start the VMware User Process Manually If You Do Not Use a Session Manager

VMware Tools in Linux, Solaris, and FreeBSD guest operating systems uses the VMware User process executable file. This program implements the fit-guest-to-window feature and Unity mode, among other features.

Normally, this process starts after you configure VMware Tools, log out of the desktop environment, and log back in. The `vmware-user` program is located in the directory in which you selected to install binary programs, which defaults to `/usr/bin`. The startup script that you need to modify depends on your system. You must start the process manually in the following environments:

- If you run an X session without a session manager. For example, if you use `startx` to start a desktop session and do not use `xdm`, `kdm`, or `gdm`.
- If you are using an older version of GNOME without `gdm` or `xdm`.
- If you are using a session manager or environment that does not support the Desktop Application Autostart Specification, available from <http://standards.freedesktop.org>.
- If you upgrade VMware Tools.

### Procedure

- ◆ Start the VMware User process.

Option	Action
<b>Start the VMware User process when you start an X session.</b>	Add <code>vmware-user</code> to the appropriate X startup script, such as the <code>.xsession</code> or <code>.xinitrc</code> file.
<b>Start the process after a VMware Tools software upgrade, or if certain features are not working.</b>	Open a terminal window and type the <code>vmware-user</code> command.

## Uninstalling VMware Tools

If the upgrade process of VMware Tools is incomplete, you can uninstall and then reinstall the VMware Tools.

### Prerequisites

- Power on the virtual machine.
- Log in to the guest operating system.

### Procedure

- ◆ Select a method to uninstall VMware Tools.

Operating System	Action
<b>Windows 7, 8, 8.1, or Windows 10</b>	In the guest operating system, select <b>Programs &gt; Uninstall a program</b> .
<b>Windows Vista and Windows Server 2008</b>	In the guest operating system, select <b>Programs and Features &gt; Uninstall a program</b> .
<b>Windows XP and earlier</b>	In the guest operating system, select <b>Add/Remove Programs</b> .
<b>Linux</b>	Log in as root and enter <code>vmware-uninstall-tools.pl</code> in a terminal window.
<b>Mac OS X Server</b>	Use the <b>Uninstall VMware Tools</b> application, found in <code>/Library/Application Support/VMware Tools</code> .

**What to do next**

Reinstall VMware Tools.





# Starting and Stopping Virtual Machines in Workstation Player

---

# 7

You can use Workstation Player to start and stop virtual machines on the host system.

When you start a virtual machine, the guest operating system starts and you can interact with the virtual machine. You can power off, reset, and suspend virtual machines.

This chapter includes the following topics:

- [“Start a Virtual Machine in Workstation Player,”](#) on page 49
- [“Start an Encrypted Virtual Machine in Workstation Player,”](#) on page 50
- [“Download a Virtual Appliance in Workstation Player,”](#) on page 50
- [“Power Off a Virtual Machine in Workstation Player,”](#) on page 50
- [“Remove a Virtual Machine from the Library in Workstation Player,”](#) on page 50
- [“Use Ctrl+Alt+Delete to Shut Down a Guest,”](#) on page 51
- [“Suspend and Resume a Virtual Machine in Workstation Player,”](#) on page 51
- [“Reset a Virtual Machine in Workstation Player,”](#) on page 52
- [“Enable Autologon in a Windows Virtual Machine,”](#) on page 52
- [“Set Workstation Player Preferences for Virtual Machine Closing Behavior,”](#) on page 53

## Start a Virtual Machine in Workstation Player

You can start a virtual machine from the Workstation Player window.

### Prerequisites

Verify that the virtual machine files are accessible to the host system.

### Procedure

- 1 If the virtual machine does not appear in the library, select **File > Open a Virtual Machine**.
- 2 Browse to and select the virtual machine configuration (.vmx) file, and click **Open**.  
The virtual machine appears in the library.
- 3 Select the virtual machine in the library and select **Virtual Machine > Power > Play Virtual Machine**.
- 4 Click anywhere inside the virtual machine console to give the virtual machine control of the mouse and keyboard on the host system.
- 5 Log in to the guest operating system.

## Start an Encrypted Virtual Machine in Workstation Player

An encrypted virtual machine is a virtual machine that has been secured from unauthorized use. A lock icon appears next to an encrypted virtual machine in the virtual machine library.

---

**NOTE** You cannot create encrypted virtual machines in Workstation Player. You can create encrypted virtual machines by using only VMware Workstation 7.x or VMware Fusion 7.x and later.

---

### Prerequisites

Obtain the encryption password for the virtual machine.

### Procedure

- 1 Select the virtual machine in the library and select **Virtual Machine > Power > Play Virtual Machine**.
- 2 Type the encryption password.
- 3 Click **Continue** to start the virtual machine.

## Download a Virtual Appliance in Workstation Player

You can download a virtual appliance in Workstation Player. A virtual appliance is a prebuilt, preconfigured, and ready-to-run software application that is packaged with the operating system in a virtual machine.

### Procedure

- ◆ Select **File > Download a Virtual Appliance**.

A Web browser opens to the Virtual Appliance Marketplace page on the VMware Web site. You can browse to and download virtual appliances from this page.

## Power Off a Virtual Machine in Workstation Player

As with physical computers, you should shut down a guest operating system before you power off a virtual machine.

### Procedure

- To shut down the guest operating system, shut down the operating system as you would if you were using a physical machine.

When the guest operating system shuts down, the virtual machine is powered off and Workstation Player exits.

- To power off a virtual machine without shutting down the guest operating system, select **Virtual Machine > Power > Power Off**.

If soft power operations are configured for the virtual machine in Workstation Player, **Power Off Guest** appears in the menu instead of **Power Off**.

## Remove a Virtual Machine from the Library in Workstation Player

When you open a virtual machine in Workstation Player, it is added to the virtual machine library. You can remove a virtual machine that you are not using from the library.

Removing a virtual machine from the library does not delete the virtual machine or any of its files from the host file system. The virtual machine is removed only from the library. If you open the virtual machine again, the virtual machine is added back to the library.

**Prerequisites**

Power off the virtual machine.

**Procedure**

- ◆ Select the virtual machine, right-click, and select **Remove VM from the Library**.

The virtual machine is removed from the library without any confirmation.

## Use Ctrl+Alt+Delete to Shut Down a Guest

You can use the Ctrl+Alt+Delete key sequence to shut down or log off of a guest operating system.

**Prerequisites**

Power on the virtual machine.

**Procedure**

- Select the virtual machine and select **Virtual Machine > Send Ctrl+Alt+Delete**.

This option is the same as pressing Ctrl+Alt+Delete on your keyboard. On Windows hosts, this command might be received by both the host operating system and the virtual machine, even when Workstation Player has control of input.

- If the command is received by both the host operating system and the virtual machine, press Ctrl+Alt+Ins on the keyboard.

The command is received solely by the virtual machine and shuts down or logs out of the guest operating system.

## Suspend and Resume a Virtual Machine in Workstation Player

Suspending a virtual machine saves its current state. When you resume the virtual machine, applications that were running before the virtual machine was suspended resume in their running state and their content is unchanged.

How quickly the suspend and resume operations perform depends on how much data changed after you started the virtual machine. The first suspend typically takes longer than subsequent suspend operations.

**Procedure**

- To suspend a virtual machine, select **Virtual Machine > Power > Suspend** and click **Yes** to confirm.

If soft power operations are configured for the virtual machine in Workstation Player, **Suspend Guest** appears in the menu instead of **Suspend**.

Workstation Player returns the virtual machine to the library in the Suspended state.

- To resume a suspended virtual machine, select the virtual machine and select **Virtual Machine > Power > Play Virtual Machine**.
- To set the Workstation Player preferences to suspend the virtual machine when you close the virtual machine window, select **Player > File > Preferences** and then select **Suspend the virtual machine**.

## Reset a Virtual Machine in Workstation Player

You can reset a virtual machine in Workstation Player. Resetting a virtual machine causes it to abruptly power off and restart.

### Prerequisites

- Power on the virtual machine.
- Verify that the virtual machine is in a safe state. Resetting a virtual machine can damage data. When possible, shut down the virtual machine with its operating system.

### Procedure

- ◆ Select **Virtual Machine > Power > Reset**.

If soft power operations are configured for the virtual machine in Workstation, **Reset Guest** appears in the menu instead of **Reset**.

## Enable Autologon in a Windows Virtual Machine

With Autologon, you can save your login credentials and bypass the login dialog box when you power on a Windows virtual machine. The guest operating system securely stores the password.

Use the Autologon feature if you restart the guest operating system frequently and want to avoid entering your login credentials. You can also use the Autologon feature to grant users access to the guest operating system without sharing your password.

### Prerequisites

- Verify that the guest operating system is Windows 2000 or later.
- Verify that you have an existing user account to enable Autologon. The account must be a local machine account, not a domain account.
- Verify that the latest version of VMware Tools is running in the guest operating system.
- Power on the virtual machine.

### Procedure

- 1 Select the virtual machine and select **Virtual Machine > Virtual Machine Settings**.
- 2 On the **Options** tab, select **Autologon**.
- 3 Click **Enable**, type your login credentials, and click **OK**.

If you type an incorrect or expired password, you must type your login credentials when you power on the virtual machine.

- 4 Click **OK** to save your changes.

When you enable Autologon or change your login credentials, the Autologon settings are saved immediately. Clicking **Cancel** in the Virtual Machine Settings dialog box does not affect the changes applied to the Autologon settings.

## Set Workstation Player Preferences for Virtual Machine Closing Behavior

You can configure how virtual machines behave when you close them.

### Procedure

- 1 Select **File > Preferences**.
- 2 Select how Workstation Player behaves when you close a virtual machine.

You can select one, both, or neither option.

Option	Description
<b>Confirm before closing a virtual machine</b>	Confirm whether you intend to exit Workstation Player or click <b>Cancel</b> to continue using Workstation Player
<b>Return to the VM Library after closing a virtual machine</b>	Workstation Player either suspends or powers off the virtual machine and returns it to the virtual machine library. From the library, you can either open another virtual machine or edit the virtual machine settings.

- 3 Select whether Workstation Player suspends or powers off a virtual machine when you close it.

Option	Description
<b>Suspend the virtual machine</b>	Workstation Player suspends the virtual machine. The next time you start Workstation Player, the virtual machine resumes operation from the point where it was suspended.
<b>Power off the virtual machine</b>	Workstation Player powers off the virtual machine. The next time you start Workstation Player, the virtual machine starts from a powered-off state and the guest operating system starts.

- 4 Click **OK** to save your changes.



# Changing the Virtual Machine Display

---

You can change the way Workstation Player displays virtual machines and virtual machine applications. You can use full screen mode to make the virtual machine display fill the screen and use multiple monitors.

This chapter includes the following topics:

- [“Configure Display Settings for a Virtual Machine,”](#) on page 55
- [“Use Full Screen Mode in Workstation Player,”](#) on page 56
- [“Use Multiple Monitors for One Virtual Machine,”](#) on page 57

## Configure Display Settings for a Virtual Machine

You can specify monitor resolution settings, configure multiple monitors, and select accelerated graphics capabilities for a virtual machine. You can use the multiple-monitor feature when the virtual machine is in full screen mode.

For Windows guests, to use DirectX 9 accelerated graphics, the guest operating system must be Windows XP or later. To use DirectX 10 accelerated graphics, the guest operating system must be Windows Vista or later.

### Prerequisites

- Verify that the latest version of VMware Tools is installed in the guest operating system.
- Verify that the guest operating system in the virtual machine is Windows XP or higher, or Linux.
- If you plan to use DirectX 9 or DirectX 10 accelerated graphics, prepare the host system. See [“Prepare the Host System to Use 3D Accelerated Graphics,”](#) on page 78.
- If you are using Windows 8.1 (Update 2) or Windows 10, Workstation Player detects the DPI on each monitor and scales the virtual machine to match the DPI on the host.

### Procedure

- 1 Select the virtual machine and select **Virtual Machine > Virtual Machine Settings**.
- 2 On the **Hardware** tab, select **Display**.
- 3 (Optional) To run applications that use DirectX 9 or DirectX 10 accelerated graphics, select **Accelerate 3D graphics**.

- 4 Specify whether host settings determine the number of monitors.

Option	Description
<b>Use host setting for monitors</b>	When you select this setting, the SVGA driver uses two monitors, a maximum bounding box width of 3840, and a maximum bounding box height of 1920. The virtual machine is configured to have a minimum of two 1920x1200 monitors, in a side-by-side topology, in both normal and rotated orientations. If the host system has more than two monitors, the virtual machine uses the number of monitors on the host system instead. If the host system's bounding box is wider or taller than the defaults, the virtual machine uses the larger size. You should select this setting in most cases.
<b>Specify monitor settings</b>	Set the number of monitors that the virtual machine will see, regardless of the number of monitors on the host system. This setting is useful if you use a multimonitor host system and you need to test in a virtual machine that has only one monitor. It is also useful if you are developing a multimonitor application in a virtual machine and the host system has only one monitor. After you power on the virtual machine, the guest operating system sees the number of monitors that you specified. Select a resolution from the list or type a setting that has the format <i>width x height</i> , where <i>width</i> and <i>height</i> are the number of pixels.

- 5 (Optional) Select the maximum amount of guest memory that can be used for graphics memory using the drop down menu. The default value of video memory varies by guest OS.

Guest OS	Default
<b>Windows 7 and later</b>	1 GB
<b>Windows XP and earlier</b>	512 MB
<b>Linux</b>	768 MB

**NOTE** If you manually edited the `.vmx` file to change the memory size for the virtual machine, the value you entered in the `.vmx` file is displayed, labeled **Custom**.

- 6 To enable display scaling for the virtual machine, select the **Automatically adjust user interface size in the virtual machine** check box.
- 7 Click **OK** to save your changes.

## Use Full Screen Mode in Workstation Player

In full screen mode, the virtual machine display fills the screen, so that you cannot see the borders of the Workstation Player window.

### Prerequisites

- Power on the virtual machine.
- Verify that the guest operating system display mode is larger than the host system display mode. If the guest operating system display mode is smaller than the host system display mode, you might not be able to enter full screen mode. If you cannot enter full screen mode, add the line `mks.maxRefreshRate=1000` to the virtual machine configuration (`.vmx`) file.
- Verify that the latest version of VMware Tools is installed in the guest operating system.
- If you are running the virtual machine in full screen mode on a laptop, configure the guest operating system to report battery information. See [“Report Battery Information in the Guest,”](#) on page 57.

### Procedure

- To enter full screen mode, select the virtual machine and select **Virtual Machine > Enter Full Screen**.



- To hide the full screen toolbar and menus while you are using full screen mode, click the push pin icon and move the pointer off of the toolbar.

This action unpins the toolbar. The toolbar slides up to the top of the monitor and disappears. To display the toolbar again, point to the top of the screen until the toolbar appears.

- To exit full screen mode and return to windowed mode, select **Virtual Machine > Exit Full Screen** from the full screen toolbar.

## Report Battery Information in the Guest

If you run a virtual machine on a laptop in full screen mode, configure the option to report battery information in the guest so that you can determine when the battery is running low.

### Prerequisites

Power off the virtual machine.

### Procedure

- 1 Select the virtual machine and select **Virtual Machine > Virtual Machine Settings**.
- 2 On the **Options** tab, select **Power**.
- 3 Select **Report battery information to guest**.
- 4 Click **OK** to save your changes.

## Use Multiple Monitors for One Virtual Machine

If the host system has multiple monitors, you can configure a virtual machine to use multiple monitors. You can use the multiple-monitor feature when the virtual machine is in full screen mode.

---

**NOTE** You do not need to use the Windows display properties settings in a Windows guest operating system to configure multiple monitors.

---

### Prerequisites

- Verify that the virtual machine is a Workstation 6.x or later virtual machine.
- Verify that the latest version of VMware Tools is installed in the guest operating system.
- Verify that the Windows or Linux guest operating system is supported.

### Procedure

- 1 Select the virtual machine and select **View > Autosize > Autofit Guest** to verify that the virtual machine can resize correctly.
- 2 Power on the virtual machine and select **View > Full Screen**.
- 3 On the full screen toolbar, click the **Cycle Multiple Monitors** button.

On a Windows host, you can mouse over a button on the toolbar to see its name. The guest operating system desktop extends to the additional monitor or monitors.

- 4 (Optional) Click the **Cycle Multiple Monitors** button again if the host system has more than two monitors and you want the virtual machine to use all of the monitors.

The order in which the virtual machine uses the monitors depends on the order in which the monitors were added to the host operating system. If you continue to click the button, you return to fewer monitors.

## Limitations for Multiple Monitors

The use of more than two monitors with a virtual machine has certain limitations.

- If you attempt to use more than two monitors with a virtual machine, your virtual machine must support more than two monitors for this feature to function.
- More than two monitors is supported on Windows and Linux host and guest operating systems.
- Windows XP guests support more than three monitors. However, only three monitors can be in use by a Windows XP guest at one time. If more than three monitors are connected to a Windows XP guest, use the **Cycle multiple monitors** button to cycle through the monitors to the configuration you want to use.

# Using Removable Devices and Printers in Virtual Machines

# 9

You can connect and disconnect removable devices in a virtual machine. You can also print from a virtual machine to any printer available to the host computer without having to install additional drivers in the virtual machine.

This chapter includes the following topics:

- [“Use a Removable Device in a Virtual Machine,”](#) on page 59
- [“Connecting USB Devices to Virtual Machines,”](#) on page 60
- [“Mount the USB File System on a Linux Host,”](#) on page 63
- [“Add a Host Printer to a Virtual Machine,”](#) on page 63
- [“Using Smart Cards in Virtual Machines,”](#) on page 64

## Use a Removable Device in a Virtual Machine

You can connect and disconnect removable devices in a virtual machine. You can also change the settings for a removable device by modifying virtual machine settings.

### Prerequisites

- Power on the virtual machine.
- If you are connecting or disconnecting a USB device, familiarize yourself with the way Workstation Player handles USB devices. See [“Connecting USB Devices to Virtual Machines,”](#) on page 60.
- If you are connecting or disconnecting a USB device on a Linux host and the USB device file system is not located in `/proc/bus/usb`, mount the USB file system to that location. See [“Mount the USB File System on a Linux Host,”](#) on page 60.

### Procedure

- To connect a removable device, select the virtual machine, select **Virtual Machine > Removable Devices**, select the device, and select **Connect**.

If the device is connected to the host system through a USB hub, the virtual machine sees only the USB device, not the hub.

A check mark appears next to the name of the device when the device is connected to the virtual machine and a device icon appears on the virtual machine taskbar.

- To change the settings for a removable device, select **Virtual Machine > Removable Devices**, select the device, and select **Settings**.

- To disconnect a removable device, select the virtual machine, select **Virtual Machine > Removable Devices**, select the device, and select **Disconnect**.

You can also disconnect the device by clicking or right-clicking the device icon on the virtual machine taskbar. Using the taskbar icon is especially useful if you run the virtual machine in full screen mode.

## Connecting USB Devices to Virtual Machines

When a virtual machine is running, its window is the active window. If you plug a USB device into the host system, the device connects to the virtual machine instead of the host by default. If a USB device connected to the host system does not connect to a virtual machine at power on, you must manually connect the device to the virtual machine.

When you connect a USB device to a virtual machine, Workstation Player retains the connection to the affected port on the host system. You can suspend or power off the virtual machine, or unplug the device. When you plug in the device again or resume the virtual machine, Workstation Player reconnects the device. Workstation Player retains the connection by writing an autoconnect entry to the virtual machine configuration (.vmx) file.

If Workstation Player cannot reconnect to the device, for example, because you disconnected the device, the device is removed and Workstation Player displays a message to indicate that it cannot connect to the device. You can connect to the device manually if it is still available. To manually connect a USB device to the virtual machine, select **VM > Removable Devices > Device Name > Connect (Disconnect from host)**.

Follow the device manufacturer's procedures for unplugging the device from the host computer when you physically unplug the device, move the device from host system to a virtual machine, move the device between virtual machines, or move the device from a virtual machine to the host computer. Following these procedures is especially important for data storage devices, such as zip drives. If you move a data storage device too soon after saving a file and the operating system did not actually write the data to the disk, you can lose data.

## Disable Automatic Connection of USB Devices

You can disable the autoconnect feature if you do not want USB devices to connect to a virtual machine when you power it on.

### Prerequisites

Power off the virtual machine.

### Procedure

- 1 Select the virtual machine and select **Virtual Machine > Virtual Machine Settings**.
- 2 On the **Hardware** tab, select **USB Controller**.
- 3 Deselect **Automatically connect new USB devices** to disable automatic connection of USB devices.
- 4 Click **OK** to save your changes.

## Mount the USB File System on a Linux Host

On Linux hosts, Workstation Player uses the USB device file system to connect to USB devices. If the USB device file system is not located in `/proc/bus/usb`, you must mount the USB file system to that location.

---

**IMPORTANT** Do not attempt to add a USB drive device node directory, for example, `/dev/sda`, to the virtual machine as a hard disk.

---

### Prerequisites

Verify that you have root access to the host system.

**Procedure**

- 1 As root, mount the USB file system.  

```
mount -t usbfs none /proc/bus/usb
```
- 2 Connect the USB device to the host system.

**Connect USB HIDs to a Virtual Machine**

To connect USB human interface devices (HIDs) to a virtual machine, you must configure the virtual machine to show all USB input devices in the **Removable Devices** menu.

By default, USB HIDs, such as USB 1.1 and 2.0 mouse and keyboard devices, do not appear in the **Removable Devices** menu in a virtual machine, even though they are plugged in to USB ports on the host system.

An HID that is connected to a virtual machine is not available to the host system.

**Prerequisites**

- Power off the virtual machine.
- If you are using a KVM switch for a mouse or keyboard, disable automatic connection of USB devices. See [“Disable Automatic Connection of USB Devices,”](#) on page 60.

**Procedure**

- 1 Select the virtual machine and select **Virtual Machine > Virtual Machine Settings**.
- 2 On the **Hardware** tab, select **USB Controller**.
- 3 Select **Show all USB input devices**.  
 This option allows users to use special USB HIDs inside the virtual machine.
- 4 Click **OK** to save your changes.
- 5 Power on the virtual machine.  
 HIDs appear in the **Removable Devices** menu.

**Install a PDA Driver and Synchronize With a Virtual Machine**

To install a PDA driver in a virtual machine, you must synchronize the PDA with the virtual machine.

**Procedure**

- 1 Connect the PDA to the host system and synchronize it with the host system.  
 The PDA driver should begin installing in the virtual machine.
- 2 Allow the virtual machine to install the PDA driver.
- 3 If connection warning messages appear, dismiss them.
- 4 If the PDA disconnects from the host system before the virtual machine can synchronize with it, synchronize the PDA with the host system again.

The total time required to load the VMware USB device driver in the host system and install the PDA driver in the virtual machine might exceed the device connection timeout value. A second synchronization attempt usually succeeds.

## Troubleshooting USB Device Control Sharing

Only the host system or the virtual machine can have control of a particular USB device at any one time. Device control operates differently, depending on whether the host system is a Linux or a Windows computer.

When you connect a device to a virtual machine, it is disconnected from the host system or from the virtual machine that previously had control of the device. When you disconnect a device from a virtual machine, it is returned to the host system.

Under some circumstances, if a USB storage device is in use on the host system, for example, one or more files stored on the device are open on the host, an error appears in the virtual machine when you try to connect to the device. You must let the host system complete its operation or close any application connected to the device on the host system and connect to the device in the virtual machine again.

### Troubleshoot USB Device Control Issues on a Linux Host

You have problems connecting or disconnecting USB devices on a Linux host system.

#### Problem

You are prompted to disconnect the driver on the host system when you connect a USB device to the virtual machine or disconnecting the device fails.

#### Cause

On Linux host systems, guest operating systems can use devices that are not claimed by a host operating system driver. A related issue sometimes affects devices that rely on automatic connection, such as PDAs. Occasionally, even if you successfully use autoconnection to connect the device to the virtual machine, you might experience problems with the connection to the device.

#### Solution

- 1 If you have problems with autoconnection, perform these steps.
  - a Select the virtual machine and select **Virtual Machine > Removable Devices** to disconnect and reconnect the device.
  - b If the problem persists, unplug the device and plug it in again.
  - c If a warning message indicates that the device is in use, disable the device in the `hotplug` configuration files in the `/etc/hotplug` directory.

The documentation for the Linux distribution contains information on editing these configuration files.

- 2 If disconnection fails, either disable the driver or unload the driver manually.

Option	Description
<b>Disable the driver</b>	If the driver was automatically loaded by hotplug, disable it in the hotplug configuration files in the <code>/etc/hotplug</code> directory. See the documentation for your Linux distribution for information on editing these configuration files.
<b>Unload the driver manually</b>	Become root ( <code>su -</code> ) and use the <code>rmmmod</code> command.

## Mount the USB File System on a Linux Host

On Linux hosts, Workstation Player uses the USB device file system to connect to USB devices. If the USB device file system is not located in `/proc/bus/usb`, you must mount the USB file system to that location.

---

**IMPORTANT** Do not attempt to add a USB drive device node directory, for example, `/dev/sda`, to the virtual machine as a hard disk.

---

### Prerequisites

Verify that you have root access to the host system.

### Procedure

- 1 As root, mount the USB file system.  
`mount -t usbfs none /proc/bus/usb`
- 2 Connect the USB device to the host system.

## Add a Host Printer to a Virtual Machine

You can print from a virtual machine to any printer available to the host computer without having to install additional drivers in the virtual machine.

The Workstation Player printer feature uses ThinPrint technology to replicate the host system printer mapping in the virtual machine. When you enable the virtual machine printer, Workstation Player configures a virtual serial port to communicate with the host printers.

### Prerequisites

- Support for virtual printers is disabled by default. To enable virtual printer support, see [Configuring Virtual Printers on Windows Hosts](#).
- The virtual machine must be powered on or off. You cannot add a printer to a virtual machine in suspended state.

### Procedure

- 1 Select the virtual machine and select **Virtual Machine > Virtual Machine Settings**.
- 2 On the **Hardware** tab, select **Add**.
- 3 In the Add Hardware wizard, select **Printer** and **Finish**.

The default device setting is to connect the virtual machine printer when the virtual machine is powered on.

### What to do next

In a Print window, when you attempt to select a printer in Windows 7 virtual machines, you might see only the default printer, even though other printers are available. To see the other printers, right-click the default printer and point to **Printer properties**.

## Using Smart Cards in Virtual Machines

Virtual machines can connect to smart card readers that interface to serial ports, parallel ports, USB ports, PCMCIA slots, and PCI slots. A virtual machine considers a smart card reader to be a type of USB device.

A smart card is a plastic card that has an embedded computer chip. Many government agencies and large enterprises use smart cards to send secure communication, digitally sign documents, and authenticate users who access their computer networks. Users plug a smart card reader into their computer and insert their smart card in the reader. They are then prompted for their PIN to log in.

You can select a smart card reader from the **Removable Devices** menu in a virtual machine. A smart card can be shared between virtual machines, or between the host system and one or more virtual machines. Sharing is enabled by default.

When you plug a smart card reader into the host system, the reader appears as two separate USB devices in Workstation Player. This is because you can use smart cards in one of two mutually exclusive modes.

### Shared mode

(Recommended) The smart card reader device is available as **Shared** *smart\_card\_reader\_model* in the **Removable Devices** menu. In Windows XP guest operating systems, the shared reader appears as **USB Smart Card Reader** after it is connected to the virtual machine. In Windows Vista and Windows 7 guest operating systems, the generic smart card reader device name appears under the Windows Device Manager list. The smart card reader can be shared among applications on the host system and among applications in different guest operating systems.

### USB passthrough mode

The smart card reader device is available as *smart\_card\_reader\_model* in the **Removable Devices** menu. In USB passthrough mode, a single virtual machine directly controls the physical smart card reader. A USB passthrough smart card reader cannot be used by applications on the host system or by applications in other virtual machines. You should use USB passthrough mode only if connection in shared mode does not work well for your scenario. You might need to install the driver provided by the manufacturer to use USB passthrough mode.

You can use smart cards with Windows operating systems and most Linux distributions. VMware provides full smart card support for Windows virtual machines running on Linux hosts. Using smart cards in Linux typically requires third-party software to effectively authenticate to a domain or enable secure communications.

---

**NOTE** Although smart cards should work with common Linux browsers, email applications, and directory services, these products have not been tested or certified by VMware.

---

## Use a Smart Card in a Virtual Machine

You can configure a virtual machine to use the smart card reader on the host system.

### Prerequisites

- On a Linux host, verify that the `libpcsclite` library is installed and that the `pcscd` daemon is running.
- Verify that the virtual machine has a USB controller. A USB controller is required, regardless of whether the smart card reader is a USB device. A USB controller is added by default when you create a virtual machine.
- Connect the smart card reader to the host system.
- Start the virtual machine



**Procedure**

- To connect the smart card reader to the virtual machine, select the virtual machine and select **Virtual Machine > Removable Devices > Shared <smart\_card\_reader\_model> > Connect**.

If the smart card reader is a USB device, two items appear for it in the menu. Both items use the model name of the reader, but one item name begins with Virtual.

- To disconnect the smart card reader from the virtual machine, select **Virtual Machine > Removable Devices > Shared <smart\_card\_reader\_model> > Disconnect**.

- To remove the smart card from the virtual machine, select **Virtual Machine > Removable Devices > Shared <smart\_card\_reader\_model> > Remove Smart Card**.

The smart card is removed from the virtual machine, but it remains connected on the host system. If the smart card is physically removed from the smart card reader, this option is disabled.

- To insert the smart card to the virtual machine, select **Virtual Machine > Removable Devices > Shared <smart\_card\_reader\_model> > Insert Smart Card**.

If the smart card is physically inserted in the smart card reader, the smart card is also inserted in the virtual machine.

**Disable Smart Card Sharing**

By default, you can share a smart card between virtual machines or between the host system and one or more virtual machines. You might want to disable smart card sharing if you are using a PCMCIA smart card reader, deploying virtual machines for enterprise use and do not want to support drivers for various smart card readers, or the host system has drivers but the virtual machines do not.

The setting that controls smart card sharing is located in the Workstation Player global configuration file.

**Procedure**

- 1 Find the global configuration file on the host system.

Operating System	Location
Linux hosts	/etc/vmware/config

- 2 If the global configuration file does not yet exist on the host system, select **File > Preferences** and change at least one Workstation Player preference setting.

Workstation Player creates the global configuration file when you change Workstation Player preference settings.

- 3 Open the global configuration file in a text editor and set the `usb.ccid.useSharedMode` property to **FALSE**.

For example: `usb.ccid.useSharedMode = "FALSE"`

- 4 Save and close the global configuration file.
- 5 Set permissions on the global configuration file so that other users cannot change it.

**Switch to a Virtual Smart Card Reader on a Linux Host**

Because of the way smart card reader functionality is implemented on Linux hosts, you must exit Workstation Player and restart the `pcscd` daemon on the host system before you can switch from the non-virtual smart card reader to the virtual smart card reader.

**Procedure**

- 1 Select the virtual machine, select **Virtual Machine > Removable Devices**, select the smart card reader, and select **Disconnect**.

- 2 Power off the virtual machine and exit Workstation Player.
- 3 Physically disconnect the smart card reader from the host system.
- 4 Restart the pcscd daemon on the host system.
- 5 Physically connect the smart card reader to the host system.
- 6 Start Workstation Player and start the virtual machine.
- 7 Select the virtual machine, select **Virtual Machine > Removable Devices**, select the smart card reader, and select **Connect**.

# Setting Up Shared Folders for a Virtual Machine

# 10

You can set up shared folders for a virtual machine. Shared folders provide an easy way to share files among virtual machines and between virtual machines and the host system.

The directories that you add as shared folders can be located on the host system, or they can be located on network directories that are accessible from the host system. Access to shared folders is governed by permission settings on the host system. For example, if you are running Workstation Player as a user named User, the virtual machine can read and write files in the shared folder only if User has permission to read and write the files.

To use shared folders, the guest operating system must have the current version of VMware Tools and must support shared folders.

---

**IMPORTANT** Shared folders expose your files to programs in the virtual machine and might put your data at risk. Only enable shared folders if you trust the virtual machine with your data.

---

This chapter includes the following topics:

- [“Using Shared Folders,”](#) on page 67
- [“Enable a Shared Folder for a Virtual Machine,”](#) on page 69
- [“View Shared Folders in a Windows Guest,”](#) on page 70
- [“Mounting Shared Folders in a Linux Guest,”](#) on page 70
- [“Change Shared Folder Properties,”](#) on page 71
- [“Change the Folders That a Virtual Machine Can Share,”](#) on page 71
- [“Disable Folder Sharing for a Virtual Machine,”](#) on page 72
- [“Mapping a Virtual Disk to the Host System,”](#) on page 72

## Using Shared Folders

You can use shared folders to share files among virtual machines and between virtual machines and the host system. The directories that you add as shared folders can be on the host system, or they can be network directories that are accessible from the host computer.

---

**IMPORTANT** You cannot open a file in a shared folder from more than one application at a time. For example, do not open the same file in an application on the host operating system and in another application in the guest operating system. If one of the applications writes to the file, data might be corrupted.

---

## Guest Operating Systems That Support Shared Folders

To use shared folders, a virtual machine must have a supported guest operating system.

The following guest operating systems support shared folders.

- Windows Server 2003 R2
- Windows Server 2008 R2
- Windows Server 2012 R2
- Windows Vista
- Windows 7
- Windows 8
- Windows 10
- Linux with a kernel version of 2.6 or later
- Solaris x86 10
- Solaris x86 10 Update 1 and later

## Using Permissions to Restrict Access to Shared Files in a Linux Guest

You can use permissions to restrict access to the files in a shared folder on a Linux guest operating system.

On a Linux host, if you create files that you want to share with a Linux guest operating system, the file permissions shown on the guest operating system are the same as the permissions on the host system. You can use the `chmod` and `chown` commands to mask permissions bits for files and directories.

If you create files on a Windows host system that you want to share with a Linux guest operating system, read-only files are displayed as having read and execute permission for everyone and other files are shown as fully writable by everyone.

If you use a Linux guest operating system to create files for which you want to restrict permissions, use the `mount` program with the following options in the guest operating system.

- `uid`
- `gid`
- `chmod`
- `chown`
- `ro` (read only)
- `rw` (read-write)

`rw` is the default.

If you are using a virtual machine that was created with the Windows version of Workstation Player, or a previous release of the Linux version of Workstation Player, you can change the owner permissions only.

## Enable a Shared Folder for a Virtual Machine

You can enable folder sharing for a specific virtual machine. To set up a folder for sharing between virtual machines, you must configure each virtual machine to use the same directory on the host system or network share.

### Prerequisites

- Verify that the virtual machines use a guest operating system that supports shared folders. See [“Guest Operating Systems That Support Shared Folders,”](#) on page 68.
- Verify that the latest version of VMware Tools is installed in the guest operating system.
- Verify that permission settings on the host system allow access to files in the shared folders. For example, if you are running Workstation Player as a user named User, the virtual machine can read and write files in the shared folder only if User has permission to read and write them.

### Procedure

- 1 Select the virtual machine and select **Virtual Machine > Virtual Machine Settings**.
- 2 On the **Options** tab, select **Shared Folders**.
- 3 Select a folder sharing option.

Option	Description
<b>Always enabled</b>	Keep folder sharing enabled, even when the virtual machine is shut down, suspended, or powered off.
<b>Enabled until next power off or suspend</b>	Enable folder sharing temporarily, until you power off, suspend, or shut down the virtual machine. If you restart the virtual machine, shared folders remain enabled. This setting is available only when the virtual machine is powered on.

- 4 (Optional) To map a drive to the Shared Folders directory, select **Map as a network drive in Windows guests**.  
This directory contains all of the shared folders that you enable. Workstation Player selects the drive letter.
- 5 Click **Add** to add a shared folder.  
On Linux hosts, the Shared Folder Properties dialog box opens.
- 6 Type the path on the host system to the directory to share.  
If you specify a directory on a network share, such as D:\share, Workstation Player always attempts to use that path. If the directory is later connected to the host on a different drive letter, Workstation Player cannot locate the shared folder.
- 7 Specify the name of the shared folder as it should appear inside the virtual machine.  
Characters that the guest operating system considers illegal in a share name appear differently when viewed inside the guest. For example, if you use an asterisk in a share name, you see %002A instead of \* in the share name on the guest. Illegal characters are converted to their ASCII hexadecimal value.

- 8 Select shared folder attributes.

Option	Description
<b>Enable this share</b>	Enable the shared folder. Deselect this option to disable a shared folder without deleting it from the virtual machine configuration.
<b>Read-only</b>	Make the shared folder read-only. When this property is selected, the virtual machine can view and copy files from the shared folder, but it cannot add, change, or remove files. Access to files in the shared folder is also governed by permission settings on the host computer.

- 9 Click **Finish** to add the shared folder.

The shared folder appears in the Folders list. The check box next to folder name indicates that the folder is being shared. You can deselect this check box to disable sharing for the folder.

- 10 Click **OK** to save your changes.

### What to do next

View the shared folder. On Linux guests, shared folders appear under `/mnt/hgfs`. On Solaris guests, shared folders appear under `/hgfs`. To view shared folders on a Windows guest, see [“View Shared Folders in a Windows Guest,”](#) on page 70.

## View Shared Folders in a Windows Guest

In a Windows guest operating system, you can view shared folders by using desktop icons.

**NOTE** If the guest operating system has VMware Tools from Workstation 4.0, shared folders appear as folders on a designated drive letter.

### Procedure

- Depending on the Windows operating system version, look for **VMware Shared Folders** in **My Network Places**, **Network Neighborhood**, or **Network**.
- If you mapped the shared folder as a network drive, open **My Computer** and look for **Shared Folders on 'vmware-host'** under **Network Drives**.
- To view a specific shared folder, go directly to the folder by using the UNC path `\\vmware-host\Shared Folders\shared_folder_name`.

## Mounting Shared Folders in a Linux Guest

After you have enabled a shared folder, you can mount one or more directories or subdirectories in the shared folder to any location in the file system in addition to the default location of `/mnt/hgfs`.

Use the `mount` command to mount all shares, one share, or a subdirectory within a share to any location in the file system.

**Table 10-1.** Mount Command Syntax

Command	Description
<code>mount -t vmhgfs .host:/ /home/user1/shares</code>	Mounts all shares to <code>/home/user1/shares</code>
<code>mount -t vmhgfs .host:/foo /tmp/foo</code>	Mounts the share named <code>foo</code> to <code>/tmp/foo</code>
<code>mount -t vmhgfs .host:/foo/bar /var/lib/bar</code>	Mounts the subdirectory <code>bar</code> within the share <code>foo</code> to <code>/var/lib/bar</code>

You can use VMware-specific options in addition to the standard `mount` syntax. For usage information for the host-guest file system options, type the command `/sbin/mount.vmhgfs -h`.

When you install VMware Tools, an entry is made to `etc/fstab` to specify the location of shared folders. You can edit this file to change or add entries. For example, to auto-mount at startup, edit `/etc/fstab` and add the line:

```
.host:/mnt/hgfs vmhgfs defaults 0 0
```

The VMware Tools services script loads a driver that performs the mount. If the mount fails, a message appears regarding mounting HGFS shares.

---

**NOTE** The mount can fail if shared folders are disabled or if the share does not exist. You are not prompted to run the VMware Tools `vmware-config-tools.pl` configuration program again.

---

## Change Shared Folder Properties

After you create a shared folder, you can change the folder name, the host path, and other attributes.

### Prerequisites

Create a shared folder. See [“Enable a Shared Folder for a Virtual Machine,”](#) on page 69.

### Procedure

- 1 Select the virtual machine and select **Virtual Machine > Virtual Machine Settings**.
- 2 On the **Options** tab, select **Shared Folders**.
- 3 Select the shared folder in the folders list and click **Properties**.
- 4 To change the name of the shared folder as it appears inside the virtual machine, type the new name in the **Name** text box.

Characters that the guest operating system considers illegal in a share name appear differently when viewed inside the guest. For example, if you use an asterisk in a share name, you see %002A instead of \* in the share name on the guest. Illegal characters are converted to their ASCII hexadecimal value.

- 5 To change the host path for the shared folder, browse to or type the new path in the **Host path** text box.

If you specify a directory on a network share, such as `D:\share`, Workstation Player always attempts to use that path. If the directory is later connected to the host on a different drive letter, Workstation Player cannot locate the shared folder.

- 6 To change an attribute for the shared folder, select or deselect the attribute.

Option	Description
<b>Enabled</b>	Enable the shared folder. Deselect this option to disable a shared folder without deleting it from the virtual machine configuration.
<b>Read-only</b>	Make the shared folder read-only. When this property is selected, the virtual machine can view and copy files from the shared folder, but it cannot add, change, or remove files. Access to files in the shared folder is also governed by permission settings on the host computer.

- 7 Click **OK** to save your changes.

## Change the Folders That a Virtual Machine Can Share

You can change the folders that a specific virtual machine is allowed to share.

### Procedure

- 1 Select the virtual machine and select **Virtual Machine > Virtual Machine Settings**.
- 2 On the **Options** tab, select **Shared Folders**.

- 3 In the folders list, select the check boxes next to the folders to share and deselect the check boxes next to the folders to disable.
- 4 Click **OK** to save your changes.

## Disable Folder Sharing for a Virtual Machine

You can disable folder sharing for a specific virtual machine.

### Procedure

- 1 Select the virtual machine and select **Virtual Machine > Virtual Machine Settings**.
- 2 On the **Options** tab, select **Shared Folders**.
- 3 Select **Disabled** to disable folder sharing.
- 4 Click **OK** to save your changes.

## Mapping a Virtual Disk to the Host System

Instead of using shared folders or copying data between a virtual machine and the host system, you can map a virtual disk to the host system. In this case, you map a virtual disk in the host file system as a separate mapped drive. Using a mapped drive lets you connect to the virtual disk without going into a virtual machine.

### Map or Mount a Virtual Disk to a Drive on the Host System

When you map a virtual disk and its associated volume to a drive on the host system, you can connect to the virtual disk without opening a virtual machine.

After you map the virtual disk to a drive on the host system, you cannot power on any virtual machine that uses the disk until you disconnect the disk from the host system.

---

**IMPORTANT** If you mount a virtual disk that has a snapshot and then write to the disk, you can irreparably damage a snapshot or linked clone created from the virtual machine. Note that Workstation Player does not support taking snapshots or deleting them.

---

Mapping a virtual disk to a host system is not supported in the standalone version of Workstation Player. Virtual disk mapping is supported in the Workstation Player version included with Workstation Pro.

### Prerequisites

- Power off all virtual machines that use the virtual disk.
- Verify that the virtual disk (.vmdk) files on the virtual disk are not compressed and do not have read-only permissions.
- Verify that the virtual disk is unencrypted. You cannot map or mount encrypted disks.

### Procedure

- 1 Select the virtual machine and select **Virtual Machine > Virtual Machine Settings**.
- 2 On the **Hardware** tab, select **Hard Disk**, click **Utilities**, and select **Map**.
- 3 On a Linux host, select the **Mount in read-only mode** check box in the Mount Disk dialog box.

This setting prevents you from accidentally writing data to a virtual disk that might be the parent of a snapshot or linked clone. Writing to such a disk might make the snapshot or linked clone unusable.

- 4 Browse to a virtual disk (.vmdk) file, select it, and click **Open**.
- 5 Select the volume to map or mount and select an unused drive letter on the host system.



- 6 Click **OK** or **Mount**.

The drive appears on the host system. You can read from or write to files on the mapped virtual disk on the host system.

## Disconnect a Virtual Disk from the Host System

To use a virtual disk from a virtual machine after it has been mapped or mounted on the host system, you must disconnect it from the host system.

### Procedure

- 1 Select the virtual machine and select **Virtual Machine > Virtual Machine Settings**.
- 2 On the **Hardware** tab, select **Hard Disk**, click **Utilities**, and select **Disconnect**.

You can now power on any virtual machine that uses this disk.



You can change virtual machine options, configure video and sound card settings, and move virtual machines to another host system or to a different location on the same host system.

This chapter includes the following topics:

- [“Change the Name of a Virtual Machine,”](#) on page 75
- [“Change the Guest Operating System for a Virtual Machine,”](#) on page 76
- [“Change the Working Directory for a Virtual Machine,”](#) on page 76
- [“Change the Virtual Machine Directory for a Virtual Machine,”](#) on page 76
- [“Change the Memory Allocation for a Virtual Machine,”](#) on page 77
- [“Configuring Video and Sound,”](#) on page 77
- [“Moving Virtual Machines,”](#) on page 80
- [“Configure a Virtual Machine as a VNC Server,”](#) on page 83
- [“Delete a Virtual Machine,”](#) on page 86
- [“View the Message Log for a Virtual Machine,”](#) on page 86
- [“Using the VIX API,”](#) on page 86
- [“Install New Software in a Virtual Machine,”](#) on page 87

## Change the Name of a Virtual Machine

When you run a virtual machine, its name appears in the title bar. Workstation Player uses the original name of the virtual machine to name the directory where the virtual machine files are stored.

Changing the name of a virtual machine does not change the name of the virtual machine directory or rename the virtual machine files on the host system.

### Procedure

- 1 Select the virtual machine and select **Virtual Machine > Virtual Machine Settings**.
- 2 On the **Options** tab, select **General**.
- 3 Type the new name.
- 4 Click **OK** to save your changes.

### What to do next

When you restart the virtual machine the new name appears in the library.

## Change the Guest Operating System for a Virtual Machine

If you upgrade the guest operating system that is installed in a virtual machine, or if you specify the wrong operating system version when you create the virtual machine, you must change the guest operating system type that is configured for the virtual machine.

When you change the operating system type, the virtual machine configuration (.vmx) file changes. The guest operating system itself does not change. To upgrade the guest operating system, obtain the appropriate software from the operating system vendor.

### Prerequisites

Power off the virtual machine.

### Procedure

- 1 Select the virtual machine and select **Virtual Machine > Virtual Machine Settings**.
- 2 On the **Options** tab, select **General**.
- 3 Select the new operating system and version.
- 4 Click **OK** to save your changes.

## Change the Working Directory for a Virtual Machine

By default, the working directory and the virtual machine directory are the same. You might want to change the working directory to improve performance. For example, to create a paging file on a fast disk that has a lot of disk space but leave the virtual disk and configuration file on a different disk, you can change the working directory so that it is located on the fast disk.

The working directory is where Workstation Player stores suspended state (.vmss), snapshot (.vmsn), virtual machine paging (.vmem), and redo log files for a virtual machine.

Changing the working directory does not change the directory where the virtual machine configuration (.vmx) file or the log files are stored.

### Prerequisites

Power off the virtual machine.

### Procedure

- 1 Select the virtual machine and select **Virtual Machine > Virtual Machine Settings**.
- 2 On the **Options** tab, select **General**.
- 3 Type or browse to the location of the new working directory.
- 4 Click **OK** to save your changes.

## Change the Virtual Machine Directory for a Virtual Machine

The virtual machine directory is where Workstation Player stores virtual machine files, including the virtual machine configuration (.vmx) file. By default, the virtual machine directory and the working directory are the same.

### Prerequisites

Power off the virtual machine.

**Procedure**

- 1 In the host file system, rename the directory where the .vmx file is stored.
- 2 Select **File > Open a Virtual Machine**.
- 3 Browse to the new location of the .vmx file and click **Open**.

## Change the Memory Allocation for a Virtual Machine

You can adjust the amount of memory that is allocated to a virtual machine.

On 64-bit hosts, the maximum amount of memory for each virtual machine is 32GB. On 32-bit hosts, the maximum amount of memory for each virtual machine is 8GB. The total amount of memory that you can assign to all virtual machines running on a single host system is limited only by the amount of RAM on the host system.

**Prerequisites**

Power off the virtual machine.

**Procedure**

- 1 Select the virtual machine and select **Virtual Machine > Virtual Machine Settings**.
- 2 On the **Hardware** tab, select **Memory**.

The Memory panel includes information to help you select the appropriate amount of memory for the virtual machine. The high end of the range is determined by the amount of memory that is allocated to all running virtual machines.

- 3 Align the slider with the corresponding icon to change the amount of memory.

The color-coded icons indicate the maximum recommended memory, the recommended memory, and the guest operating system minimum memory amounts.

- 4 Click **OK** to save your changes.
- 5 Power on the virtual machine to implement the changes.

## Configuring Video and Sound

For best color and graphics display, coordinate host and guest operating system color settings. Workstation Player supports games and applications that use DirectX 9 and DirectX 10 accelerated graphics, but you must perform some 3D preparation tasks on the host and guest operating systems.

Workstation Player usually installs the necessary drivers for sound support, but you must manually install a driver on some of the oldest and newest guest operating systems.

- [Setting Screen Color Depth](#) on page 78

The number of screen colors available in the guest operating system depends on the screen color setting of the host operating system.

- [Using Accelerated 3D Graphics](#) on page 78

You must perform certain preparation tasks on the host system and on virtual machines to use accelerated 3D graphics.

- [Configuring Sound](#) on page 79

Workstation Player provides a sound device compatible with the Sound Blaster AudioPCI and supports sound in Windows and Linux guest operating systems. The Workstation Player sound device is enabled by default.

## Setting Screen Color Depth

The number of screen colors available in the guest operating system depends on the screen color setting of the host operating system.

Virtual machines support the following screen colors.

- 16-color (VGA) mode
- 8-bit pseudocolor
- 16 bits per pixel (16 significant bits per pixel)
- 32 bits per pixel (24 significant bits per pixel)

If the host operating system is in 15-bit color mode, the guest operating system color setting controls offer 15-bit mode in place of 16-bit mode. If the host operating system is in 24-bit color mode, the guest operating system color setting controls offer 24-bit mode in place of 32-bit mode.

If you run a guest operating system set for a greater number of colors than the host operating system, the colors in the guest operating system might not be correct or the guest operating system might not be able to use a graphical interface. If these problems occur, you can either increase the number of colors in the host operating system or decrease the number of colors in the guest operating system.

To change color settings on the host operating system, power off all virtual machines and close Workstation Player and then follow standard procedures for changing color settings.

How you change color settings in a guest operating system depends on the type of guest operating system. In a Windows guest, the Display Properties control panel offers only those settings that are supported. In a Linux or FreeBSD guest, you must change the color depth before you start the X server, or you must restart the X server after making the changes.

For best performance, use the same number of colors in the host and guest operating systems.

## Using Accelerated 3D Graphics

You must perform certain preparation tasks on the host system and on virtual machines to use accelerated 3D graphics.

Support for applications that use DirectX 9 accelerated graphics applies only to Windows XP, Windows Vista, and Windows 7 guests on hosts running Windows 7 or later, or Linux. OpenGL applications run in software emulation mode.

Support for applications that use DirectX 10 accelerated graphics applies only to Windows 10.

### Prepare the Host System to Use 3D Accelerated Graphics

You must perform certain preparation tasks on the Windows or Linux host system to use 3D accelerated graphics in a virtual machine.

#### Prerequisites

- Verify that the host has a video card that supports accelerated OpenGL 2.0 if you are using DirectX 9, or OpenGL 3.3 if you are using DirectX 10.

The VMware guest operating system OpenGL driver for Windows and Linux supports the OpenGL 3.3 core profile only. The OpenGL3.3 compatibility profile is not supported.

**Procedure**

- 1 Upgrade the video drivers on the host system to the latest versions.  
ATI Graphics drivers are available from the AMD Web site. NVIDIA drivers are available from the NVIDIA Web site.
- 2 Run commands to test the host for compatibility.
  - a Verify that direct rendering is enabled.  
`glxinfo | grep direct`
  - b Verify that 3D applications work.  
`glxgears`

**Prepare a Virtual Machine to Use Accelerated 3D Graphics**

You must perform certain preliminary tasks to use accelerated 3D graphics on a virtual machine.

The accelerated 3D graphics feature is enabled by default on Player 3.x and later virtual machines.

**Prerequisites**

- Prepare the host system to use accelerated 3D graphics. See [“Prepare the Host System to Use 3D Accelerated Graphics,”](#) on page 78.
- If using DirectX 9, verify that the guest operating system is Windows XP or later. DirectX 9 is supported on virtual machines running hardware version 11 or earlier.
- If using DirectX 10, verify that the guest operating system is Windows 7 or later. DirectX 10 is supported on virtual machines running hardware version 12 or later.
- Verify that the latest version of VMware Tools is installed in the guest operating system.
- Power off the virtual machine. The virtual machine must not be suspended.

**Procedure**

- 1 Select the virtual machine and select **Virtual Machine > Virtual Machine Settings**.
- 2 On the **Hardware** tab, select **Display**.
- 3 Select **Accelerate 3D graphics**.
- 4 Configure the virtual machine to use only one monitor.
- 5 Click **OK** to save your changes.
- 6 Power on the virtual machine and install the required DirectX EndRuntime version.  
This download is available from the Microsoft Download Center.
- 7 Install and run your 3D applications.

**Configuring Sound**

Workstation Player provides a sound device compatible with the Sound Blaster AudioPCI and supports sound in Windows and Linux guest operating systems. The Workstation Player sound device is enabled by default.

Sound support includes pulse code modulation (PCM) output and input. For example, you can play .wav files, MP3 audio, and Real Media audio. MIDI output from Windows guests is supported through the Windows software synthesizer. MIDI input is not supported, and no MIDI support is available for Linux guests.

Windows and most recent Linux distributions detect the sound device and install appropriate drivers for it.

A sound driver is installed when you install VMware Tools in a 64-bit Windows Vista or Windows 7 guest operating system. For 32-bit Windows Vista, Windows 7, Windows 2003 Server, and Windows Server 2008 guests, you must use Windows Update to install a 32-bit driver.

## Configure Sound Card Settings

The VMware virtual sound device is compatible with a Creative Technology Sound Blaster Audio API. The sound device supports sound in Windows and Linux guest operating systems.

### Procedure

- 1 Select the virtual machine and select **Virtual Machine > Virtual Machine Settings**.
- 2 On the **Hardware** tab, select **Sound Card**.
- 3 Configure one or more sound card settings.

Option	Description
<b>Connected</b>	Connects or disconnects the sound device while the virtual machine is running. You can also use the <b>Devices</b> menu and select the drive to connect or disconnect.
<b>Connect at power on</b>	Automatically connects the sound device to the virtual machine when you power on the virtual machine.
<b>Use default host sound card</b>	The virtual machine uses the default sound card in the host system.
<b>Use physical sound card</b>	Selects which sound card to use if you have more than one physical sound card on the system.
<b>Enable echo cancellation</b>	Enables echo cancellation for the sound card.

- 4 Click **OK** to save your changes.

## Moving Virtual Machines

You can move a virtual machine that was created in Workstation Player to a different host system or to a different location on the same host system and connect to a virtual machine by using a VNC client.

- [Move a Virtual Machine to a New Location or New Host](#) on page 80

You can move a virtual machine that is created in Workstation Player to a different host system or to a different location on the same host system. You can move a virtual machine to a host system that has a different operating system.

- [Configure a Virtual Machine for Compatibility](#) on page 82

When you create a virtual machine that you intend to distribute to other users, you should configure the virtual machine for maximum compatibility with all expected host systems. Users might be limited in their ability to make changes in a virtual machine so that it is compatible with their host systems.

- [Using the Virtual Machine UUID](#) on page 82

Each virtual machine has a universal unique identifier (UUID). The UUID is generated when you initially power on the virtual machine.

### Move a Virtual Machine to a New Location or New Host

You can move a virtual machine that is created in Workstation Player to a different host system or to a different location on the same host system. You can move a virtual machine to a host system that has a different operating system.

Moving a virtual machine typically involves moving the files that make up the virtual machine. The pathnames for all files associated with a Workstation Player virtual machine are relative to the virtual machine directory.



When you move a virtual machine, Workstation Player generates a new MAC address for the virtual network adapter. Workstation Player also generates a new MAC address when you rename a directory in the path to the virtual machine configuration (.vmx) file.

### Prerequisites

- Familiarize yourself with how Workstation Player generates UUIDs for moved virtual machines. See [“Using the Virtual Machine UUID,”](#) on page 82.
- If you are moving the virtual machine to a different host system, familiarize yourself with the limitations of moving a virtual machine to a new host. See [“Limitations of Moving a Virtual Machine to a Different Host,”](#) on page 81.
- If you configured the working directory to reside in a different location on the host system, move files from the working directory into the virtual machine directory and change the working directory to this location.
- Verify that virtual machine devices and any associated files point to locations that you can access from the new location.
- Verify that all virtual machine files are stored in the virtual machine directory. Some files might reside outside of the virtual machine directory.

### Procedure

- 1 Shut down the guest operating system and power off the virtual machine.
- 2 Copy the virtual machine files to the new location.
- 3 Verify that you copied all of the virtual machine files to the new location.
- 4 Open the virtual machine in Workstation Player

Option	Description
<b>If you moved the virtual machine to a different location on the same host system</b>	Remove the virtual machine from the library, select <b>File &gt; Open a Virtual Machine</b> , and browse to the .vmx file in its new location.
<b>If you moved the virtual machine to a different host system</b>	Start Workstation Player on the new host system, select <b>File &gt; Open a Virtual Machine</b> , and browse to the .vmx file.

- 5 When you are certain that the virtual machine in the new location works correctly, delete the virtual machine files from the original location.

### Limitations of Moving a Virtual Machine to a Different Host

You should be aware of certain limitations before you move a virtual machine to a different host system.

- The guest operating system might not work correctly if you move a virtual machine to a host system that has significantly different hardware, for example, if you move a virtual machine from a 64-bit host to a 32-bit host or from a multiprocessor host to a uniprocessor host.
- Player 3.x and later virtual machines support up to eight-way virtual symmetric multiprocessing (SMP) on multiprocessor host systems. Player 6.x and later virtual machines support up to sixteen-way multiprocessing on multiprocessor host systems. You can assign up to 8 or 16 virtual processors to virtual machines running on host systems that have at least two logical processors. If you attempt to assign two processors to a virtual machine that is running on a uniprocessor host system, a warning message appears. You can disregard this message and assign two processors to the virtual machine, but you must move it to a host that has at least two logical processors before you can power it on.
- You can move a virtual machine from a 32-bit host to a 64-bit host. You cannot move a virtual machine from a 64-bit host to a 32-bit host unless the 32-bit host has a supported 64-bit processor.

## Configure a Virtual Machine for Compatibility

When you create a virtual machine that you intend to distribute to other users, you should configure the virtual machine for maximum compatibility with all expected host systems. Users might be limited in their ability to make changes in a virtual machine so that it is compatible with their host systems.

### Procedure

- Install VMware Tools in the virtual machine.

VMware Tools significantly improves the user's experience working with the virtual machine.

- Determine which virtual devices are actually required, and do not include any that are not needed or useful for the software you are distributing with the virtual machine.

Generic SCSI devices are typically not appropriate.

- To connect a physical device to a virtual device, use the **Auto detect** options when you configure the virtual machine.

The **Auto detect** options allow the virtual machine to adapt to the user's system, and they work whether the host operating system is Windows or Linux. Users who have no physical device receive a warning message.

- To connect a CD-ROM or floppy to an image file that you ship with the virtual machine, make sure the image file is in the same directory as the virtual machine.

A relative path, rather than an absolute path, is used.

- For both a physical CD-ROM and an image, provide two virtual CD-ROM devices in the virtual machine.

- Choose a reasonable amount of memory to allocate to the virtual machine.

For example, if the host system does not have enough physical memory to support the memory allocation, the user cannot power on the virtual machine.

- Choose a reasonable screen resolution for the guest.

A user is likely to find it easier to increase the resolution manually than to deal with a display that exceeds the user's physical screen size.

## Using the Virtual Machine UUID

Each virtual machine has a universal unique identifier (UUID). The UUID is generated when you initially power on the virtual machine.

You can use the UUID of a virtual machine for system management in the same way that you use the UUID of a physical computer. The UUID is stored in the SMBIOS system information descriptor, and you can access it by using standard SMBIOS scanning software, including SiSoftware Sandra or IBM `smbios2`.

If you do not move or copy the virtual machine to another location, the UUID remains constant. When you power on a virtual machine that was moved or copied to a new location, you are prompted to specify whether you moved or copied the virtual machine. If you indicate that you copied the virtual machine, the virtual machine receives a new UUID.

Suspending and resuming a virtual machine does not trigger the process that generates a UUID. The UUID in use at the time the virtual machine was suspended remains in use when the virtual machine is resumed, even if it was copied or moved. You are not prompted to specify whether you moved or copied the virtual machine until the next time you reboot the virtual machine.

## Configure a Virtual Machine to Keep the Same UUID

You can configure a virtual machine to always keep the same UUID, even when it is moved or copied. When a virtual machine is set to always keep the same UUID, you are not prompted when a virtual machine is moved or copied.

### Prerequisites

Power off the virtual machine.

### Procedure

- 1 Open the virtual machine configuration (.vmx) file in a text editor.
- 2 Add the `uuid.action` property and set it to **keep**.

For example: `uuid.action = "keep"`

## Configure a Virtual Machine as a VNC Server

You can use Workstation Player to configure a virtual machine to act as a Virtual Network Computing (VNC) server so that users on other computers can use a VNC client to connect to the virtual machine. You do not need to install specialized VNC software in a virtual machine to set it up as a VNC server.

---

**NOTE** You cannot configure a shared or remote virtual machine as a VNC server.

---

### Procedure

- 1 Select the virtual machine and select **VM > Settings**.
- 2 On the **Options** tab, select **VNC Connections** and select **Enable VNC**.
- 3 (Optional) To allow VNC clients to connect to multiple virtual machines on the same host system, specify a unique port number for each virtual machine.

Use should use a port number in the range from 5901 to 6001. Other applications use certain port numbers, and some port numbers are privileged. For example, the VMware Management Interface uses ports 8333 and 8222 and VMware Workstation Server uses port 443. On Linux, only the root user can listen to ports up to port number 1024.

- 4 (Optional) Set a password for connecting to the virtual machine from a VNC client.  
The password can be up to eight characters long. Because it is not encrypted when the VNC client sends it, do not use a password that you use for other systems.
- 5 (Optional) Click **View VNC Connections** to see a list of the VNC clients that are remotely connected to the virtual machine and find out how long they have been connected.
- 6 Click **OK** to save your changes.

### What to do next

If you do not VNC clients use to use the US101 keyboard map (U.S. English) when they connect to the virtual machine, specify a different language. See [“Specify a Language Keyboard Map for VNC Clients,”](#) on page 84.

## Specify a Language Keyboard Map for VNC Clients

If you set a virtual machine to act as a VNC server, you can specify which language to use for the keyboard that VNC clients use. By default, the US101 keyboard map (U.S. English) is used.

### Prerequisites

- Verify that the virtual machine is set to act as a VNC server.
- Determine the language code to use. See [“Language Codes,”](#) on page 84.

### Procedure

- 1 In a text editor, open the virtual machine configuration file (.vmx) file for the virtual machine and add the `RemoteDisplay.vnc.enabled` and `RemoteDisplay.vnc.port` properties.
  - a Set `RemoteDisplay.vnc.enabled` to `TRUE`.
  - b Set `RemoteDisplay.vnc.port` to the port number to use.

For example:

```
RemoteDisplay.vnc.enabled = "TRUE"
RemoteDisplay.vnc.port = "portnumber"
```

- 2 Determine the location of the keymap file to use.

Default keymap files are included in the Workstation Player installation directory.

Host System	Keymap File Location
Windows 7, Windows 8, and Windows 10 hosts	C:\ProgramData\VMware\vnckeymap
Linux host	/usr/lib/vmware/vnckeymap

- 3 In the virtual machine configuration (.vmx) file, add a property to specify the location of the keymap file.

Option	Description
<b>To use the default keymap file included in the Workstation Player installation directory</b>	Add <code>RemoteDisplay.vnc.keyMap = "xx"</code> , where <code>xx</code> is the code for the language to use, such as <code>jp</code> for Japanese.
<b>To use a keyboard map file in another location</b>	Add <code>RemoteDisplay.vnc.keyMapFile = "filepath"</code> , where <code>filepath</code> is the absolute file path.

- 4 Start the virtual machine and connect to it from a VNC client.

## Language Codes

When you specify a language keyboard map for VNC clients, you must specify a language code.

**Table 11-1.** Language Codes

Code	Language
de	German
de-ch	German (Switzerland)
es	Spanish
fi	Finnish
fr	French
fr-be	French (Belgium)

**Table 11-1.** Language Codes (Continued)

Code	Language
fr-ch	French (Switzerland)
is	Icelandic
it	Italian
jp	Japanese
nl-be	Dutch (Belgium)
no	Norwegian
pt	Polish
uk	UK English
us	US English

## Use a VNC Client to Connect to a Virtual Machine

You can use a VNC client to connect to a running virtual machine. Because VNC software is cross-platform, you can use virtual machines running on different types of computers.

Workstation Player does not need to be running to use VNC to connect to a virtual machine. Only the virtual machine needs to be running, and it can be running in the background.

When you use a VNC client to connect to a virtual machine, some features do not work or are not available.

- You cannot take or revert to snapshots.
- You cannot power on, power off, suspend, or resume the virtual machine. You can shut down the guest operating system. Shutting down might power off the virtual machine.
- You cannot copy and paste text between the host system and the guest operating system.
- You cannot change virtual machine settings.
- Remote display does not work well if you are also using the 3D feature.

### Prerequisites

- Configure the virtual machine as a VNC server. See [“Configure a Virtual Machine as a VNC Server,”](#) on page 83.
- Determine the machine name or IP address of the host system on which the virtual machine is running and, if required, the VNC port number and password.

### Procedure

- 1 Install a VNC client on your computer.

Open-source versions of VNC are freely and publicly available. You can use any VNC client, but not a Java viewer in a browser.

- 2 Start the VNC client on your computer.

- 3 Verify that the client is set for hextile encoding.

For example, if you use RealVNC Viewer, select **Hextile** under the **Preferred Encoding** option.

- 4 Set the VNC client to use all colors.

For example, if you use RealVNC Viewer, select **Full (all available colours)** under the **Colour Level** option.

- 5 When prompted for the VNC server name, type the name or IP address and the port number of the host system where the virtual machine is running.

For example: *machine\_name:port\_number*

- 6 Type a password if one is required.

## View VNC Connections for a Virtual Machine

When a virtual is configured to act as a VNC server, you can view a list of the VNC clients that are remotely connected to the virtual machine and find out how long they have been connected.

### Prerequisites

Configure the virtual machine to act as a VNC server. See [“Configure a Virtual Machine as a VNC Server,”](#) on page 83.

### Procedure

- ◆ Select the virtual machine and select **VM > Manage > VNC Connections**.

## Delete a Virtual Machine

You can delete a virtual machine and all of its files from the host file system.

---

**IMPORTANT** Deleting a virtual machine is irreversible.

---

### Prerequisites

Power off the virtual machine.

### Procedure

- 1 Right-click the virtual machine in the library and select **Delete VM from Disk**.
- 2 Click **Yes** to delete the virtual machine.

The virtual machine and all of its files are removed from the host file system.

## View the Message Log for a Virtual Machine

You can view the message log to review information about a particular virtual machine. Messages include warning information about the virtual machine.

### Procedure

- 1 Power on the virtual machine.
- 2 Select **Help > Message Log**.
- 3 Select a message in the message log to see a detailed description of the message.

## Using the VIX API

Application developers can use the VMware VIX API to write programs to automate virtual machine operations.

The API is high level, easy to use, and practical for script writers and application programmers. With API functions, you can register, power virtual machines on and off, and run programs in guest operating systems. Additional language bindings are available for Perl, COM, and shell scripts such as `vmrun`.

See the VMware VIX API Release Notes.

## Install New Software in a Virtual Machine

Installing new software in a virtual machine is similar to installing new software on a physical computer. Only a few additional steps are required.

### Prerequisites

- Verify that VMware Tools is installed in the guest operating system. Installing VMware Tools before installing the software minimizes the likelihood that you will have to reactivate the software if the virtual machine configuration changes.
- Verify that the virtual machine has access to the CD-ROM drive, ISO image file, or floppy drive where the installation software is located.

### Procedure

- 1 Select the virtual machine and select **Virtual Machine > Virtual Machine Settings**.
- 2 On the **Hardware** tab, select **Memory**, set the final memory size for the virtual machine, and click **OK**.

Some applications use a product activation feature that creates a key based on the virtual hardware in the virtual machine where it is installed. Changes in the configuration of the virtual machine might require you to reactivate the software. Setting the memory size minimizes the number of significant changes.

- 3 Install the new software according to the manufacturer's instructions.

## Disable Acceleration if a Program Does Not Run

When you install or run software inside a virtual machine, Workstation Player might appear to stop responding. This problem typically occurs early in the program's execution. In many cases, you can get past the problem by temporarily disabling acceleration in the virtual machine.

### Procedure

- 1 Select the virtual machine and select **Virtual Machine > Virtual Machine Settings**.
- 2 On the **Hardware** tab, select **Processors**.
- 3 Select **Disable acceleration for binary translation** to disable acceleration.
- 4 Click **OK** to save your changes.

### What to do next

After you pass the point where the program encountered problems, re-enable acceleration. Because disabling acceleration slows down virtual machine performance, you should use it only for getting past the problem with running the program.





# Configuring and Managing Devices

---

You can use Workstation Player to add devices to virtual machines, including DVD and CD-ROM drives, floppy drives, USB controllers, virtual and physical hard disks, parallel and serial ports, generic SCSI devices, and processors. You can also modify settings for existing devices.

This chapter includes the following topics:

- [“Configuring DVD, CD-ROM, and Floppy Drives,”](#) on page 89
- [“Configuring a USB Controller,”](#) on page 91
- [“Configuring and Maintaining Virtual Hard Disks,”](#) on page 93
- [“Configuring Virtual Ports,”](#) on page 98
- [“Configuring Generic SCSI Devices,”](#) on page 103
- [“Configuring Sixteen-Way Virtual Symmetric Multiprocessing,”](#) on page 105
- [“Configuring Keyboard Features,”](#) on page 106
- [“Modify Hardware Settings for a Virtual Machine,”](#) on page 113

## Configuring DVD, CD-ROM, and Floppy Drives

You can add up to 4 IDE devices, up to 60 SCSI devices, and up to 120 SATA devices (4 controllers with 30 devices per controller) to a virtual machine. Any of these devices can be a virtual or physical hard disk or DVD or CD-ROM drive. By default, a floppy drive is not connected when a virtual machine powers on.

A virtual machine can read data from a DVD disc. Workstation Player does not support playing DVD movies in a virtual machine. You might be able to play a movie if you use a DVD player application that does not require video overlay support in the video card.

### Add a DVD or CD-ROM Drive to a Virtual Machine

You can add one or more DVD or CD-ROM drives to a virtual machine. You can connect the virtual DVD or CD-ROM drive to a physical drive or an ISO image file.

You can configure the virtual DVD or CD-ROM drive as an IDE or a SCSI device, regardless of the type of physical drive that you connect it to. For example, if the host has an IDE CD-ROM drive, you can set up the virtual machine drive as either SCSI or IDE and connect it to the host drive.

Do not configure legacy emulation mode unless you experience problems with normal mode. See [“Configure Legacy Emulation Mode for a DVD or CD-ROM Drive,”](#) on page 91 for more information.

#### Procedure

- 1 Select the virtual machine and select **Virtual Machine > Virtual Machine Settings**.

- 2 On the **Hardware** tab, click **Add**.
- 3 In the Add Hardware wizard, select **DVD/CD Drive**.
- 4 Select a physical drive or ISO image file to connect to the drive.

Option	Description
<b>Use physical drive</b>	The virtual machine uses a physical drive.
<b>Use ISO image</b>	The drive connects to an ISO image file.

- 5 Configure the physical drive or ISO image file.

Option	Description
<b>Physical drive</b>	Select a specific drive, or select <b>Auto detect</b> to allow Workstation Player to auto-detect the drive to use.
<b>ISO image file</b>	Type the path or browse to the location of the ISO image file.

- 6 To connect the drive or ISO image file to the virtual machine when the virtual machine powers on, select **Connect at power on**.
- 7 Click **Finish** to add the drive to the virtual machine.  
The drive initially appears as an IDE drive to the guest operating system.
- 8 (Optional) To change which SCSI or IDE device identifier to use for the drive, select the drive and click **Advanced**.
- 9 Click **OK** to save your changes.

## Add a Floppy Drive to a Virtual Machine

You can configure a virtual floppy drive to connect to a physical floppy drive or an existing or blank floppy image file. You can add up to two floppy drives to a virtual machine.

### Prerequisites

Power off the virtual machine.

### Procedure

- 1 Select the virtual machine and select **Virtual Machine > Virtual Machine Settings**.
- 2 On the **Hardware** tab, click **Add**.
- 3 In the Add Hardware wizard, select **Floppy Drive**.
- 4 Select the floppy media type.

Option	Description
<b>Use a physical floppy drive</b>	The virtual machine uses a physical floppy drive.
<b>Use a floppy image</b>	The drive connects to an floppy image (.flp) file.
<b>Create a blank floppy image</b>	The drive connects to a blank floppy image (.flp) file that you create.

- 5 If you selected the physical floppy drive media type, select a specific floppy drive or select **Auto detect** to allow Workstation Player to auto-detect the drive to use.
- 6 If you selected the floppy image or blank floppy image media type, type the name or browse to the location of a floppy image (.flp) file.
- 7 To connect the drive or floppy image file to the virtual machine when the virtual machine powers on, select **Connect at power on**.

- 8 Click **Finish** to add the drive to the virtual machine.
- 9 Click **OK** to save your changes.

## Configure Legacy Emulation Mode for a DVD or CD-ROM Drive

Use legacy emulation mode to work around direct communication problems between a guest operating system and a DVD or CD-ROM drive.

In legacy emulation mode, you can read only from data discs in the DVD or CD-ROM drive. Legacy emulation mode does not provide the other capabilities of normal mode. In normal mode, the guest operating system communicates directly with the CD-ROM or DVD drive. This direct communication enables you to read multisession CDs, perform digital audio extraction, view videos, and use CD and DVD writers to burn discs.

If you run more than one virtual machine at a time, and if their CD-ROM drives are in legacy emulation mode, you must start the virtual machines with their CD-ROM drives disconnected. By disconnecting the CD-ROM drives in the virtual machines, you prevent multiple virtual machines from being connected to the CD-ROM drive at the same time.

### Procedure

- 1 Select the virtual machine and select **Virtual Machine > Virtual Machine Settings**.
- 2 On the **Hardware** tab, select the drive and click **Advanced**.
- 3 Select **Legacy emulation** and click **OK**.

On Linux hosts that have IDE drives, the default setting depends on whether the `ide-scsi` module is loaded in the kernel. The `ide-scsi` module must be loaded, or you must use a physical SCSI drive, to connect directly to the DVD or CD-ROM drive.

- 4 Click **OK** to save your changes.

## Configuring a USB Controller

A virtual machine must have a USB controller to use USB devices and smart card readers. To use a smart card reader, a virtual machine must have a USB controller regardless of whether the smart card reader is actually a USB device.

Workstation Player provides a USB controller to support the following types of USB devices.

- USB 1.1 UHCI (Universal Host Controller Interface) is supported for all virtual machine hardware versions.
- USB 2.0 EHCI (Enhanced Host Controller Interface) controllers are supported if the virtual machine hardware is compatible with Workstation 6 and later virtual machines.
- USB 3.0 xHCI (Extensible Host Controller Interface) support is available for Linux guests running kernel version 2.6.35 or later and for Windows 8 guests. The virtual machine hardware must be compatible with Workstation 8 or later virtual machines.

For USB 2.0 or 3.0 support, you must select USB 2.0 or 3.0 compatibility by configuring virtual machine settings for the USB controller. USB 2.0 and 3.0 devices are high-speed devices that include the latest models of USB flash drives, USB hard drives, iPods, and iPhone.

If you select USB 2.0 compatibility, when a USB 2.0 device connects to a USB port on the host system, the device connects to the EHCI controller and operates in USB 2.0 mode. A USB 1.1 device connects to the UHCI controller and operates in USB 1.1 mode. If you enable USB 3.0, the xHCI controller can support all USB devices, including USB 1.1, 2.0, and 3.0 devices.

Although the host operating system must support USB, you do not need to install device-specific drivers for USB devices in the host operating system to use those devices only in the virtual machine. Linux kernels earlier than 2.2.17 do not support USB.

VMware has tested a variety of USB devices. If the guest operating system has the appropriate drivers, you can use many different USB devices, including PDAs, Smart phones, printers, storage devices, scanners, MP3 players, digital cameras, memory card readers, and isochronous transfer devices, such as webcams, speakers, and microphones.

You can connect USB human interface devices (HIDs), such as the keyboard and mouse, to a virtual machine by enabling the **Show all USB input devices** option. If you do not select this option, these devices do not appear in the **Removable Devices** menu and are not available to connect to the virtual machine, even though they are plugged in to USB ports on the host system.

See [“Connect USB HIDs to a Virtual Machine,”](#) on page 61 for information on connecting HIDs.

## Add a USB Controller to a Virtual Machine

A USB controller is required to use a smart card in a virtual machine, regardless of whether the smart card reader is a USB device. You can add one USB controller to a virtual machine.

When you create a virtual machine in Workstation Player, a USB controller is added by default. If you remove the USB controller, you can add it back.

### Prerequisites

Power off the virtual machine.

### Procedure

- 1 Select the virtual machine and select **Virtual Machine > Virtual Machine Settings**.
- 2 On the **Hardware** tab, click **Add**.
- 3 In the New Hardware wizard, select **USB Controller**.
- 4 Configure the USB connection settings.

You can select multiple settings.

Option	Description
<b>USB Compatibility</b>	Selecting USB 2.0 or 3.0 enables support for isochronous USB devices, including Web cams, speakers, and microphones.
<b>Automatically connect new USB devices</b>	Connect new USB devices to the virtual machine. If this setting is not selected, new USB devices are connected only to the host system.
<b>Show all USB input devices</b>	Human interface devices (HIDs), such as USB 1.1 and 2.0 mouse and keyboard devices, appear in the <b>Removable Devices</b> menu. Icons for HIDs appear in the status bar. An HID that is connected to the guest operating system is not available to the host system. The virtual machine must be powered off when you change this setting.
<b>Share Bluetooth devices with the virtual machine</b>	Enable support for Bluetooth devices.

- 5 Click **Finish** to add the USB controller.

## Enable Support for Isochronous USB Devices

Modems and certain streaming data devices, such as speakers and webcams, do not work properly in a virtual machine unless you enable support for isochronous USB devices.

### Prerequisites

- Verify that the guest operating system supports USB 2.0 devices or 3.0 devices.
- On a Windows XP guest operating system, verify that the latest service pack is installed. If you use Windows XP with no service packs, the driver for the EHCI controller cannot be loaded.

### Procedure

- 1 Select the virtual machine and select **Virtual Machine > Virtual Machine Settings**.
- 2 On the **Hardware** tab, select **USB Controller**.
- 3 From the **USB Compatibility** list, select **USB 2.0** or **USB 3.0**.

Option	Description
<b>USB 2.0</b>	Available if the virtual machine hardware is compatible with Workstation 6 and later virtual machines.
<b>USB 3.0</b>	Available for Linux guests running kernel version 2.6.35 or later and for Windows 8 guests. The virtual machine hardware must be compatible with Workstation 8 and later virtual machines.

- 4 Click **OK** to save your changes.

## Configuring and Maintaining Virtual Hard Disks

You can use Workstation Player to configure virtual hard disk storage for virtual machines.

A virtual disk is a file or set of files that appears as a physical disk drive to a guest operating system. The files can be on the host system or on a remote computer. When you configure a virtual machine to use a virtual disk, you can install a new operating system onto the virtual disk without repartitioning a physical disk or rebooting the host.

The New Virtual Machine wizard creates a virtual machine that has one disk drive. You can modify virtual machine settings to add more disk drives to a virtual machine, remove disk drives from a virtual machine, and change certain settings for the existing disk drives.

- [Configuring a Virtual Hard Disk](#) on page 94  
You can configure virtual hard disks as IDE or SATA disks for any guest operating system. You can also set up a virtual hard disk as a SCSI disk for any guest operating system that has a driver for the LSI Logic or BusLogic SCSI adapter. You determine which SCSI adapter to use when you create a virtual machine.
- [Compact a Virtual Hard Disk](#) on page 96  
Compacting a virtual hard disk reclaims unused space in the virtual disk. If a disk has empty space, this process reduces the amount of space the virtual disk occupies on the host drive.
- [Expand a Virtual Hard Disk](#) on page 96  
You can add storage space to a virtual machine by expanding its virtual hard disk.
- [Defragment a Virtual Hard Disk](#) on page 97  
Like physical disk drives, virtual hard disks can become fragmented. Defragmenting disks rearranges files, programs, and unused space on the virtual hard disk so that programs run faster and files open more quickly. Defragmenting does not reclaim unused space on a virtual hard disk.

- [Remove a Virtual Hard Disk from a Virtual Machine](#) on page 97  
Removing a virtual hard disk disconnects it from a virtual machine. It does not delete files from the host file system.
- [Using Lock Files to Prevent Consistency Problems on Virtual Hard Disks](#) on page 98  
A running virtual machine creates lock files to prevent consistency problems on virtual hard disks. Without locks, multiple virtual machines might read and write to the disk, causing data corruption.
- [Moving a Virtual Hard Disk to a New Location](#) on page 98  
A key advantage of virtual hard disks is their portability. Because the virtual hard disks are stored as files on the host system or a remote computer, you can move them easily to a new location on the same computer or to a different computer.

## Configuring a Virtual Hard Disk

You can configure virtual hard disks as IDE or SATA disks for any guest operating system. You can also set up a virtual hard disk as a SCSI disk for any guest operating system that has a driver for the LSI Logic or BusLogic SCSI adapter. You determine which SCSI adapter to use when you create a virtual machine.

The files that make up an IDE, SATA, or SCSI virtual hard disk can be stored on an IDE hard disk, SATA hard disk, or on a SCSI hard disk. They can also be stored on other types of fast-access storage media.

To use SCSI hard disks in a 32-bit Windows XP virtual machine, you must download a special SCSI driver from the VMware Web site. Follow the instructions on the Web site to use the driver with a fresh installation of Windows XP.

## Growing and Allocating Virtual Disk Storage Space

IDE and SCSI virtual hard disks can be up to 8TB. Depending on the size of the virtual hard disk and the host operating system, Workstation Player creates one or more files to hold each virtual disk.

Virtual hard disk files include information such as the operating system, program files, and data files. Virtual disk files have a `.vmdk` extension.

By default, the actual files that the virtual hard disk uses start small and grow to their maximum size as needed. The main advantage of this approach is the smaller file size. Smaller files require less storage space and are easier to move to a new location, but it takes longer to write data to a disk configured in this way.

You can also configure virtual hard disks so that all of the disk space is allocated when the virtual disk is created. This approach provides enhanced performance and is useful if you are running performance-sensitive applications in the virtual machine.

Regardless of whether you allocate all disk space in advance, you can configure the virtual hard disk to use a set of files limited to 2GB per file. Use this option if you plan to move the virtual hard disk to a file system that does not support files larger than 2GB.

## Add a New Virtual Hard Disk to a Virtual Machine

To increase storage space, you can add a new virtual hard disk to a virtual machine. You can add up to four IDE devices and up to 60 SCSI devices. Any of these devices can be a virtual or physical hard disk or DVD or CD-ROM drive.

Virtual hard disks are stored as files on the host computer or on a network file server. A virtual IDE drive or SCSI drive can be stored on a physical IDE drive or on a physical SCSI drive.

As an alternative to adding a new virtual hard disk, you can expand the existing virtual hard disk. See [“Expand a Virtual Hard Disk,”](#) on page 96.

### Procedure

- 1 Select the virtual machine and select **Virtual Machine > Virtual Machine Settings**.

- 2 On the **Hardware** tab, click **Add**.
- 3 In the New Hardware wizard, select **Hard Disk**.
- 4 Select **Create a new virtual disk**.
- 5 Select the disk type.

Option	Description
<b>IDE</b>	Create an IDE device. You can add up to four IDE devices to a virtual machine.
<b>SCSI</b>	Create a SCSI device. You can add up to 60 SCSI devices to a virtual machine.
<b>SATA</b>	Create a SATA device. You can add up to 120 SATA devices: four controllers and 30 devices per controller.

- 6 Set the capacity for the new virtual hard disk.  
You can set a size between 0.001 GB and 8 TB for a virtual disk.
- 7 Specify how to allocate the disk space.

Option	Description
<b>Allocate all disk space now</b>	Allocating all of the disk space when you create the virtual hard disk can enhance performance, but it requires all of the physical disk space to be available now. If you do not select this setting, the virtual disk starts small and grows as you add data to it.
<b>Store virtual disk as a single file</b>	Select this option if the virtual disk is stored on a file system that does not have a file size limitation.
<b>Split virtual disk into multiple files</b>	Select this option if the virtual disk is stored on a file system that has a file size limitation. When you split a virtual disk less than 950 GB, a series of 2 GB virtual disk files are created. When you split a virtual disk greater than 950 GB, two virtual disk files are created. The maximum size of the first virtual disk file is 1.9 TB and the second virtual disk file stores the rest of the data.

- 8 Accept the default filename and location, or browse to and select a different location.
- 9 Click **Finish** to add the new virtual hard disk.  
The wizard creates the new virtual hard disk. The disk appears to the guest operating system as a new, blank hard disk.
- 10 Click **OK** to save your changes.
- 11 Use the guest operating system tools (such as the Windows Management tool or the `fdisk` command in Linux) to partition and format the new drive.

## Add an Existing Virtual Hard Disk to a Virtual Machine

You can reconnect an existing virtual hard disk that was removed from a virtual machine.

### Procedure

- 1 Select the virtual machine and select **Virtual Machine > Virtual Machine Settings**.
- 2 On the **Hardware** tab, click **Add**.
- 3 In the Add Hardware wizard, select **Hard Disk**.
- 4 Select **Use an existing virtual disk**.
- 5 Specify the path name and filename for the existing disk file.

- 6 Click **Finish** to add the existing virtual hard disk.
- 7 Click **OK** to save your changes.

## Compact a Virtual Hard Disk

Compacting a virtual hard disk reclaims unused space in the virtual disk. If a disk has empty space, this process reduces the amount of space the virtual disk occupies on the host drive.

### Prerequisites

- Power off the virtual machine.
- Verify that the virtual disk is not mapped or mounted. You cannot compact a virtual disk while it is mapped or mounted.
- Verify that the disk space is not preallocated for the virtual hard disk. If the disk space was preallocated, you cannot compact the disk.

### Procedure

- 1 Select the virtual machine and select **Virtual Machine > Virtual Machine Settings**.
- 2 On the **Hardware** tab, select the virtual hard disk to compact.
- 3 Select **Utilities > Compact**.
- 4 Click **OK** after the disk compacting process is complete.

## Expand a Virtual Hard Disk

You can add storage space to a virtual machine by expanding its virtual hard disk.

When you expand a virtual hard disk, the added space is not immediately available to the virtual machine. To make the added space available, you must use a disk management tool to increase the size of the existing partition on the virtual hard disk to match the expanded size.

The disk management tool that you use depends on the virtual machine guest operating system. Many operating systems, including Windows Vista, Windows 7, and Windows 8 and some versions of Linux, provide built-in disk management tools that can resize partitions. Third-party disk management tools are also available, such as EASEUS Partition Master, Acronis Disk Director, and the open-source tool GParted.

When you expand the size of a virtual hard disk, the sizes of partitions and file systems are not affected.

As an alternative to expanding a virtual hard disk, you can add a new virtual hard disk to the virtual machine. See [“Add a New Virtual Hard Disk to a Virtual Machine,”](#) on page 94.

### Prerequisites

- Power off the virtual machine.
- Verify that the virtual disk is not mapped or mounted. You cannot expand a virtual disk while it is mapped or mounted.
- Verify that the virtual machine has no snapshots.

---

**NOTE** Workstation Player does not support taking snapshots or deleting them.

---

- Verify that the virtual machine is not a linked clone or the parent of a linked clone.

You can determine whether a virtual machine is a linked clone by the virtual machine name string on the summary page. If the string includes "Clone of: *virtual machine name*", the virtual machine is a linked clone. If the string includes "Snapshot: Snapshot for *virtual machine name*", the virtual machine is a parent of a linked clone.



**Procedure**

- 1 Select the virtual machine and select **Virtual Machine > Virtual Machine Settings**.
- 2 On the **Hardware** tab, select the virtual hard disk to expand.
- 3 Select **Utilities > Expand**.
- 4 Set the new maximum size for the virtual disk.  
You can set a size between 0.001 GB and 8192 GB for a virtual disk.
- 5 Select **Expand**.
- 6 Click **OK** after the disk expansion process is complete.

**What to do next**

Use a disk management tool to increase the disk partition size to match the expanded virtual disk size.

**Defragment a Virtual Hard Disk**

Like physical disk drives, virtual hard disks can become fragmented. Defragmenting disks rearranges files, programs, and unused space on the virtual hard disk so that programs run faster and files open more quickly. Defragmenting does not reclaim unused space on a virtual hard disk.

Defragmenting disks can take considerable time.

**Prerequisites**

- Verify that there is adequate free working space on the host system. For example, if the virtual hard disk is contained in a single file, there must be free space equal to the size of the virtual disk file. Other virtual hard disk configurations require less free space.
- Verify that the virtual disk is not mapped or mounted. You cannot defragment a virtual disk while it is mapped or mounted.

**Procedure**

- 1 Run a disk defragmentation utility in the guest operating system.
- 2 If disk space is not preallocated for the virtual hard disk, use the Workstation Player defragmentation tool to defragment it.
  - a Power off the virtual machine.
  - b Select the virtual machine and select **Virtual Machine > Virtual Machine Settings**.
  - c On the **Hardware** tab, select **Hard Disk**.
  - d Select **Utilities > Defragment**.
  - e When the defragmentation process is finished, click **OK**.
- 3 Run a disk defragmentation utility on the host system.

**Remove a Virtual Hard Disk from a Virtual Machine**

Removing a virtual hard disk disconnects it from a virtual machine. It does not delete files from the host file system.

After you remove a virtual hard disk from a virtual machine, you can map or mount the disk to the host system and copy data from the guest operating system to the host without powering on the virtual machine or starting Workstation Player. You can also add the disk to another virtual machine.

**Procedure**

- 1 Select the virtual machine and select **Virtual Machine > Virtual Machine Settings**.
- 2 On the **Hardware** tab, select the virtual hard disk and click **Remove**.
- 3 Click **OK** to save your changes.

**Using Lock Files to Prevent Consistency Problems on Virtual Hard Disks**

A running virtual machine creates lock files to prevent consistency problems on virtual hard disks. Without locks, multiple virtual machines might read and write to the disk, causing data corruption.

Lock files have a `.lck` suffix and are created in subdirectories in the same directory as the virtual disk (`.vmdk`) files. A locking subdirectory and lock file are created for `.vmdk` files, `.vmx` files, and `.vmem` files.

A unified locking method is used on all host operating systems so that files shared between them are fully protected. For example, if one user on a Linux host tries to power on a virtual machine that is already powered on by another user with a Windows host, the lock files prevent the second user from powering on the virtual machine.

When a virtual machine powers off, it removes the locking subdirectories and the lock files. If the virtual machine cannot remove these locking controls, one or more stale lock files might remain. For example, if the host system fails before the virtual machine removes its locking controls, stale lock files remain.

When the virtual machine restarts, it scans any locking subdirectories for stale lock files and, when possible, removes them. A lock file is considered stale if the lock file was created on the same host system that is now running the virtual machine and the process that created the lock is no longer running. If either of these conditions is not true, a dialog box warns you that the virtual machine cannot be powered on. You can delete the locking directories and their lock files manually.

Locks also protect physical disk partitions. Because the host operating system is not aware of this locking convention, it does not recognize the lock. For this reason, you should install the physical disk for a virtual machine on the same physical disk as the host operating system.

**Moving a Virtual Hard Disk to a New Location**

A key advantage of virtual hard disks is their portability. Because the virtual hard disks are stored as files on the host system or a remote computer, you can move them easily to a new location on the same computer or to a different computer.

For example, you can use Workstation Player on a Windows host system to create virtual hard disks, move the disks to a Linux computer, and use the disks with Workstation Player on a Linux host system.

**Configuring Virtual Ports**

You can add virtual parallel (LPT) ports and virtual serial (COM) ports to a virtual machine. A Workstation Player virtual machine can use up to three parallel ports and up to four virtual serial ports.

- [Add a Virtual Parallel Port to a Virtual Machine](#) on page 99  
You can attach up to three bidirectional parallel (LPT) ports to a virtual machine. Virtual parallel ports can output to parallel ports or to files on the host system.
- [Configure a Virtual Parallel Port on a Linux 2.6.x Kernel Host](#) on page 100  
Linux 2.6.x kernels that support parallel ports use the `modprobe modulename` and `modprobe parport_pc` modules. Workstation Player requires that the parallel port PC-style hardware option (`CONFIG_PARPORT_PC`) is built and loaded as a kernel module.

- [Configure Permissions for a Parallel Port Device on a Linux Host](#) on page 101  
Some Linux distributions do not grant a virtual machine access to the `lp` and `parport` devices by default. If this is the case on your Linux host system, you must add the VMware user to the group that has permission to access those devices.
- [Troubleshoot ECR Errors for Parallel Ports](#) on page 101  
A parallel port on the host system does not have an Extended Control Register (ECR).
- [Add a Virtual Serial Port to a Virtual Machine](#) on page 101  
You can add up to four serial (COM) ports to a virtual machine. Virtual serial ports can output to physical serial ports, files, or named pipes.
- [Change the Input Speed of a Serial Connection](#) on page 102  
You can increase the speed of a serial connection over a pipe to a virtual machine.

## Add a Virtual Parallel Port to a Virtual Machine

You can attach up to three bidirectional parallel (LPT) ports to a virtual machine. Virtual parallel ports can output to parallel ports or to files on the host system.

Parallel ports are used for a variety of devices, including printers, scanners, dongles, and disk drives. Although these devices can connect to the host system, only printers can reliably connect to virtual machines by using parallel ports.

Workstation Player provides only partial emulation of PS/2 hardware. Interrupts that a device connected to a physical port requests are not passed to the virtual machine. The guest operating system cannot use direct memory access (DMA) to move data to or from the port. For this reason, not all devices that attach to a parallel port work correctly. Do not use virtual parallel ports to connect parallel port storage devices or other types of parallel port devices to a virtual machine.

### Prerequisites

- If you are using a Linux host system that has a 2.6.x kernel, verify that the parallel port PC-style hardware option (`CONFIG_PARPORT_PC`) is built and loaded as a kernel module. See [“Configure a Virtual Parallel Port on a Linux 2.6.x Kernel Host,”](#) on page 100.
- If you are using a Linux host system that does not grant virtual machines access to the `lp` and `parport` devices by default, add the VMware user to the group that has permission to access those devices. See [“Configure Permissions for a Parallel Port Device on a Linux Host,”](#) on page 101.
- Power off the virtual machine.

### Procedure

- 1 Select the virtual machine and select **Virtual Machine > Virtual Machine Settings**.
- 2 On the **Hardware** tab, click **Add**.
- 3 In the New Hardware wizard, select **Parallel Port**.
- 4 Select where the virtual parallel port sends output.

Option	Description
<b>Use a physical parallel port</b>	Select a parallel port on the host system.
<b>Use output file</b>	Send output from the virtual parallel port to a file on the host system. Either locate an existing output file or browse to a directory and type a filename to create a new output file.

- 5 To connect the virtual parallel port to the virtual machine when the virtual machine powers on, select **Connect at power on**.

- 6 Click **Finish** to add the virtual parallel port to the virtual machine.

When a parallel port is configured for a virtual machine, most guest operating systems detect the port at installation time and install the required drivers. Some operating systems, including Linux, detect the ports at boot time.

## Configure a Virtual Parallel Port on a Linux 2.6.x Kernel Host

Linux 2.6.x kernels that support parallel ports use the `modprobe modulename` and `modprobe parport_pc` modules. Workstation Player requires that the parallel port PC-style hardware option (`CONFIG_PARPORT_PC`) is built and loaded as a kernel module.

Linux kernels in the 2.6.x series use a special arbitrator for access to the parallel port hardware. If the host system is using the parallel port, the virtual machine cannot use it. If a virtual machine is using the parallel port, the host and any users accessing the host are denied access to the device. You must use the **Removable Devices** menu to disconnect the parallel port from the virtual machine to access the device from the host system.

### Procedure

- 1 To determine whether the `modprobe modulename` and `modprobe parport_pc` modules are installed and loaded on the host system, run the `lsmod` command as the root user.

You can also see a list of modules in the `/proc/modules` file.

---

**NOTE** In Linux 2.6.x, loading `parport_pc` does not load all modules.

---

- 2 If necessary, load the parallel port modules.  
For example: `modprobe parport_pc && modprobe ppdev`  
This command inserts the modules that are required for a parallel port.
- 3 If the `lp` module is loaded, run the `rmmmod` command as root to remove it.  
For example: `rmmmod lp`  
The virtual machine cannot use the parallel port correctly if the `lp` module is loaded.
- 4 Comment out the line that refers to the `lp` module in the `/etc/modules.conf` or `/etc/conf.modules` file.  
The name of the configuration file depends on the Linux distribution.  
When the line is commented out, the configuration file no longer starts the `lp` module when you reboot the host system.
- 5 To make sure that the proper modules for the parallel port are loaded at boot time, add the following line to the `/etc/modules.conf` or `/etc/conf.modules` file.

```
alias parport_lowlevel parport_pc
```

## Configure Permissions for a Parallel Port Device on a Linux Host

Some Linux distributions do not grant a virtual machine access to the `lp` and `parport` devices by default. If this is the case on your Linux host system, you must add the VMware user to the group that has permission to access those devices.

### Procedure

- 1 On the Linux host system, use the `ls` command to determine the owner and group for the device.

For example: `ls -la /dev/parport0`

The third and fourth columns of the output show the owner and group, respectively. In most cases, the owner of the device is `root` and the associated group is `lp`.

- 2 To add the user to the device group, become root and open the `/etc/group` file in a text editor.
- 3 On the line that defines the `lp` group, add the Workstation Player username.

For example: `lp::7:daemon,lp,player_username`

The changes take effect the next time the user logs in to the host system.

## Troubleshoot ECR Errors for Parallel Ports

A parallel port on the host system does not have an Extended Control Register (ECR).

### Problem

When you power on a virtual machine after adding a parallel port, an error message states that the parallel port on the host system does not have an ECR.

### Cause

This problem can occur when the hardware supports ECR, but ECR has been disabled in the BIOS.

### Solution

- 1 Reboot the host system.
- 2 Early in the boot process, press and hold down the Delete key to enter the BIOS configuration editor.
- 3 Find the parallel port field and enable Extended Capability Port (ECP) mode or a combination of modes that includes ECP.

Most modern computers support ECP mode.

## Add a Virtual Serial Port to a Virtual Machine

You can add up to four serial (COM) ports to a virtual machine. Virtual serial ports can output to physical serial ports, files, or named pipes.

You might want to add a virtual serial port to a virtual machine to make devices such as modems and printers available to the virtual machine. You can also use virtual ports to send debugging data from a virtual machine to the host system or to another virtual machine.

---

**NOTE** The virtual printer feature configures a serial port to make host printers available to the guest. You do not need to install additional drivers in the virtual machine.

---

### Prerequisites

Power off the virtual machine.

**Procedure**

- 1 Select the virtual machine and select **Virtual Machine > Virtual Machine Settings**.
- 2 On the **Hardware** tab, click **Add**.
- 3 In the Add Hardware wizard, select **Serial Port**.
- 4 Select where the virtual serial port sends output.

Option	Description
<b>Use a physical parallel port</b>	Send output to a physical serial port on the host system.
<b>Use output file</b>	Send output to a file on the host system. Either locate an existing output file or browse to a directory and type a filename to create a new output file.
<b>Output to named pipe</b>	Set up a direct connection between two virtual machines, or a connection between a virtual machine and an application on the host system.

- 5 If you selected **Output to named pipe**, configure the named pipe.
  - a Type **/tmp/socket** or another UNIX socket name in the first text box.  
The pipe name must be the same on both the server and the client.
  - b To send debugging information to an application on the host system, select **This end is the server** from the first drop-down menu and select **The other end is an application** from the second drop-down menu.
  - c To send debugging information to another virtual machine, select **This end is the server** from the first drop-down menu and **The other end is a virtual machine** from the second drop-down menu.
- 6 To connect the port to the virtual machine when the virtual machine powers on, select **Connect at power on**.
- 7 Click **Finish** to add the virtual serial port to the virtual machine.
- 8 (Optional) On the **Hardware** tab, select the new serial port, select **Yield CPU on poll**, and click **OK**.  
This option is useful if you are using debugging tools that communicate over a serial connection. If the serial port in the guest operating system is being used in polled mode rather than interrupt mode, you might notice performance issues. This option forces the virtual machine to yield processor time if the only task it is trying to do is poll the virtual serial port.

**What to do next**

If you set up a connection between two virtual machines, the first virtual machine is set up as the server. Repeat this procedure for the second virtual machine, but set it up as the client by selecting **This end is the client** when you configure the named pipe.

**Change the Input Speed of a Serial Connection**

You can increase the speed of a serial connection over a pipe to a virtual machine.

In principle, the output speed, which is the speed at which the virtual machine sends data through the virtual serial port, is unlimited. In practice, the output speed depends on how fast the application at the other end of the pipe reads inbound data.

**Prerequisites**

- Use the guest operating system to configure the serial port for the highest setting supported by the application that you are running in the virtual machine.
- Power off the virtual machine and exit Workstation Player.

**Procedure**

- 1 In a text editor, add the following line to the virtual machine configuration (.vmx) file.

```
serialport_number.pipe.charTimePercent = "time"
```

*port\_number* is the number of the serial port, starting from 0. The first serial port is serial0. *time* is a positive integer that specifies the time taken to transmit a character, expressed as a percentage of the default speed set for the serial port in the guest operating system. For example, a setting of 200 forces the port to take twice as long for each character, or send data at half the default speed. A setting of 50 forces the port to take only half as long for each character, or send data at twice the default speed.

- 2 Assuming that the serial port speed is set appropriately in the guest operating system, experiment with this setting by starting with a value of 100 and gradually decreasing it until you find the highest speed at which the connection works reliably.

## Configuring Generic SCSI Devices

The generic SCSI feature gives the guest operating system direct access to SCSI devices that are connected to the host system, including scanners, tape drives, and other data storage devices. A virtual machine can use the generic SCSI driver to run any SCSI device that is supported by the guest operating system.

To use SCSI devices in a virtual machine running on a Windows host system, you must run Workstation Player as a user who has administrator access.

On Linux host systems, you must have read and write permissions on a given generic SCSI device to use that device in a virtual machine, even if the device is a read-only device, such as a CD-ROM drive. These devices typically default to root-only permissions. A Linux administrator can create a group that has read and write access to these devices and add the appropriate users to that group.

Although generic SCSI is device independent, it can be sensitive to the guest operating system, device class, and specific SCSI hardware.

- [Add a Generic SCSI Device to a Virtual Machine](#) on page 103

You must add a generic SCSI device to the virtual machine to map virtual SCSI devices on a virtual machine to physical generic SCSI devices on the host system. You can add up to 60 generic SCSI devices to a virtual machine.

- [Avoiding Concurrent Access Problems for SCSI Devices on Linux Hosts](#) on page 104

Workstation Player makes sure that multiple programs do not use the same /dev/sg entry at the same time, but it cannot always ensure that multiple programs do not use the /dev/sg entry and the traditional /dev entry at the same time.

- [Troubleshoot Problems Detecting Generic SCSI Devices](#) on page 104

When you add a generic SCSI device to a virtual machine, the device does not appear in the list of available SCSI devices.

## Add a Generic SCSI Device to a Virtual Machine

You must add a generic SCSI device to the virtual machine to map virtual SCSI devices on a virtual machine to physical generic SCSI devices on the host system. You can add up to 60 generic SCSI devices to a virtual machine.

**Prerequisites**

- On a Linux host system, log in as a user who has read and write permissions for the SCSI device. Also, verify that version 2.1.36 or later of the SCSI Generic driver (sg.o) is installed. This version of the SCSI Generic driver is included with Linux kernel 2.2.14 and later.

**Procedure**

- 1 Select the virtual machine and select **Virtual Machine > Virtual Machine Settings**.
- 2 On the **Hardware** tab, click **Add**.
- 3 In the Add Hardware wizard, select **Generic SCSI Device**.
- 4 Select the physical SCSI device to map to the virtual SCSI device.  
When you type the path to the SCSI device on a Linux host, do not enter `/dev/st0` or `/dev/sr0`.
- 5 To connect the device when the virtual machine powers on, select **Connect at power on**.
- 6 Click **Finish** to add the device.
- 7 On the **Hardware** tab, select the SCSI device identifier to use for the device from the **Virtual device node** drop-down menu and click **OK**.

For example, if you select **SCSI 0:2**, the guest operating system sees the drive as ID 2 on controller 0.

**Avoiding Concurrent Access Problems for SCSI Devices on Linux Hosts**

Workstation Player makes sure that multiple programs do not use the same `/dev/sg` entry at the same time, but it cannot always ensure that multiple programs do not use the `/dev/sg` entry and the traditional `/dev` entry at the same time.

The SCSI generic driver sets up a mapping in `/dev` for each SCSI device. Each entry starts with `sg`, for the SCSI generic driver, followed by a number. For example, `/dev/sg0` is the first generic SCSI device. Each entry corresponds to a SCSI device in the order specified in `/proc/scsi/scsi`, from the lowest device ID on the lowest adapter to the highest device ID on the lowest adapter, and so on to the highest device ID on the highest adapter.

Some Linux devices, such as tape drives, disk drives, and CD-ROM drives, already have a designated `/dev` entry (`st`, `sd`, and `sr`, respectively). When the SCSI generic driver is installed, Linux identifies these devices with corresponding `sg` entries in `/dev`, in addition to their traditional entries.

To avoid concurrent access problems, do not specify `/dev/st0` or `/dev/sr0` when you specify which SCSI device to use in a virtual machine.

---

**IMPORTANT** Do not attempt to use the same generic SCSI device in both the host system and guest operating system. Unexpected behavior and data loss or corruption might occur.

---

**Troubleshoot Problems Detecting Generic SCSI Devices**

When you add a generic SCSI device to a virtual machine, the device does not appear in the list of available SCSI devices.

**Problem**

The SCSI device does not appear in the list of available SCSI devices after you add it to a virtual machine.

**Cause**

A driver for that device is not installed on the host system, a driver on the host system prevents the device from being detected, or the virtual machine uses a device for which there are no drivers available to the host operating system.



**Solution**

- 1 Determine the SCSI bus number that the device uses on the host system.

The SCSI bus is assigned a number by the host operating system after all IDE buses are assigned numbers. For example, if you have two IDE buses, they are numbered 0 and 1. The first SCSI bus is assigned bus number 2. You can use a third-party tool, such as winobj, to determine the SCSI bus number.

- 2 Determine the target ID that the device uses in the virtual machine and on the host system.

This ID is usually set by some jumpers or switches on the device.

- 3 Determine whether the device driver for the device is installed on the host system.

If the device driver is not installed, install it and see if the device appears. To avoid a device-in-use conflict between the host and guest, you might not want to install the driver on the host system.

- 4 If an original SCSI device driver is already installed on the host system, disable it.

Some Windows operating systems do not process the send command from the adapter if the device driver owns the device.

- 5 Power off the virtual machine and open the virtual machine configuration (.vmx) file in a text editor.

- 6 Add or change the following line in the virtual machine configuration (.vmx) file.

```
scsiZ:Y.fileName = "deviceName"
```

Z is the SCSI bus number the device uses in the virtual machine. For *deviceName*, use **scsiX:Y**, where X is the SCSI bus number that the device uses on the host system and Y is the target ID that the device uses in both the virtual machine and on the host system.

For example, if the problematic device is a CD-ROM drive, the existing entry is

```
scsi0:4.fileName = "CdRom0"
```

and the device on the host system is located on bus 2 with target ID 4, change the line to **scsi0:4.fileName = "scsi2:4"**.

- 7 If the virtual machine does not contain any SCSI devices, to add a generic SCSI device to a new virtual SCSI adapter, or to use an existing SCSI device as a generic SCSI device, add the following line to the virtual machine configuration (.vmx) file.

```
scsiZ:Y.deviceType = "scsi-passthru"
```

- 8 If the virtual machine does not contain any SCSI devices, or to add a generic SCSI device to a new virtual SCSI adapter, add the following lines to the virtual machine configuration (.vmx) file.

```
scsiZ:Y.present = "true"
scsiZ.present = "true"
```

## Configuring Sixteen-Way Virtual Symmetric Multiprocessing

With virtual symmetric multiprocessing (SMP), you can assign processors and cores per processor to a virtual machine on any host system that has at least two logical processors.

Workstation Player considers multiprocessor hosts that have two or more physical CPUs, single-processor hosts that have a multicore CPU, and single-processor hosts that have hyperthreading enabled, to have two logical processors.

---

**NOTE** On hyperthreaded uniprocessor hosts, performance of virtual machines that have virtual SMP might be below normal. Even on multiprocessor hosts, performance is affected if you overcommit by running multiple workloads that require more total CPU resources than are physically available.

---

You can power on and run multiple dual-processor virtual machines concurrently. The number of processors for a given virtual machine appears in the summary view of the virtual machine.

## Configure Sixteen-Way Virtual Symmetric Multiprocessing

You can configure sixteen-way virtual symmetric multiprocessing (SMP) for an existing virtual machine.

### Procedure

- 1 Select the virtual machine and select **Virtual Machine > Virtual Machine Settings**.
- 2 On the **Hardware** tab, select **Processors**.
- 3 Change the **Number of processors** setting to 16.
- 4 Click **OK** to save your changes.

## Use a Virtual Machine That Has More Than Sixteen Virtual Processors

If Workstation Player is running on a multiprocessor host system, you can open a virtual machine that has more than 16 virtual processors assigned to it. You must change the number of processors before powering on the virtual machine.

You can see the number of processors in the virtual machine summary view or by viewing the virtual machine hardware settings.

### Prerequisites

Power off the virtual machine.

### Procedure

- 1 Select the virtual machine and select **Virtual Machine > Virtual Machine Settings**.
- 2 On the **Hardware** tab, select **Processors**.

Note that **Number of processors** is set to **Other (x)**, where **x** is the number of processors originally assigned to it. Workstation Player preserves this original configuration setting for the number of processors, even though eight is the maximum number of processors supported.

- 3 Change the **Number of processors** setting to 1, 2, 4, 8, or 16.

After you commit a change to this setting, the original setting for the number of processors is discarded and no longer appears as an option.

- 4 Click **OK** to save your changes.

## Configuring Keyboard Features

You can change key combinations for hot-key sequences in Workstation Player and the language for the keyboard that VNC clients use. You can also configure platform-specific keyboard features for Windows and Linux host systems.

- [Use Ctrl+Alt in a Key Combination](#) on page 107

Because Ctrl+Alt tells Workstation Player to release mouse and keyboard input, hot-key combinations that include Ctrl+Alt are not passed to the guest operating system. You must use the Space key if the key combination includes Ctrl+Alt.

- [Configure Keyboard Mapping for a Remote X Server](#) on page 107

Although the keyboard works correctly with a local X server, it might not work correctly when you run the same virtual machine with a remote X server.

- [Change How a Specific Key Is Mapped](#) on page 108  
If some keys on the keyboard do not work correctly in a virtual machine, you can set a property that makes a modification to the map. To change how a specific key is mapped, you add the appropriate property to the virtual machine configuration (.vmx) file or to ~/.vmware/config.
- [Configure How Keysyms Are Mapped](#) on page 109  
When key code mapping cannot be used or is disabled, Workstation Player maps keysyms to v-scan codes. If a language-specific keyboard does not appear to be supported by Workstation Player, you might need to set a property that tells Workstation Player which keysym table to use.
- [V-Scan Code Table](#) on page 110  
You specify v-scan codes when you change how keys or keysyms are mapped.

## Use Ctrl+Alt in a Key Combination

Because Ctrl+Alt tells Workstation Player to release mouse and keyboard input, hot-key combinations that include Ctrl+Alt are not passed to the guest operating system. You must use the Space key if the key combination includes Ctrl+Alt.

### Procedure

- 1 Press Ctrl+Alt+spacebar.
- 2 Release the spacebar without releasing Ctrl and Alt.
- 3 Press the third key of the key combination to send to the guest operating system.

## Configure Keyboard Mapping for a Remote X Server

Although the keyboard works correctly with a local X server, it might not work correctly when you run the same virtual machine with a remote X server.

For local X servers, Workstation Player maps X key codes to PC scan codes to correctly identify a key. Because it cannot tell whether a remote X server is running on a PC or on some other kind of computer, Workstation Player uses this key code map only for local X servers. You can set a property to tell Workstation Player to use key code mapping. See “[Understanding X-Key Codes and Keysyms](#),” on page 108 for more information.

To configure a keyboard mapping for a remote X server, you add the appropriate property to the virtual machine configuration (.vmx) file or to ~/.vmware/config.

### Prerequisites

- Verify that the remote X server is an XFree86 server running on a PC.
- Power off the virtual machine and exit Workstation Player.

---

**NOTE** If the keyboard does not work correctly on an XFree86 server running locally, report the problem to VMware technical support.

---

### Procedure

- If you use an XFree86-based server that Workstation Player does not recognize as an XFree86 server, add the `xkeymap.usekeycodeMap` property and set it to **TRUE**.

This property tells Workstation Player to always use key code mapping regardless of server type.

For example: `xkeymap.usekeycodeMap = "TRUE"`

- If Workstation Player does not recognize the remote server as an XFree86 server, add the `xkeymap.usekeycodeMapIfXFree86` property and set it to **TRUE**.

This property tells Workstation Player to use key code mapping if you are using an XFree86 server, even if it is remote.

For example: `usekeycodeMapIfXFree86 = "TRUE"`

## Understanding X-Key Codes and Keysyms

Pressing a key on a PC keyboard generates a PC scan code based roughly on the position of the key. For example, the Z key on a German keyboard generates the same code as the Y key on an English keyboard because they are in the same position on the keyboard. Most keys have one-byte scan codes, but some keys have two-byte scan codes with prefix 0xe0.

Internally, Workstation Player uses a simplified version of the PC scan code that is a single nine-bit numeric value, called a v-scan code. A v-scan code is written as a three-digit hexadecimal number. The first digit is 0 or 1. For example, the Ctrl key on the left side of the keyboard has a one-byte scan code (0x1d) and its v-scan code is 0x01d. The Ctrl key scan code on the right side of the keyboard is two bytes (0xe0, 0x1d) and its v-scan code is 0x11d.

An XFree86 server on a PC has a one-to-one mapping from X key codes to PC scan codes, or v-scan codes, which is what Workstation Player uses. When Workstation Player is hosted on an XFree86 server and runs a local virtual machine, it uses the built-in mapping from X key codes to v-scan codes. This mapping is keyboard independent and should be correct for most languages. In other cases (not an XFree86 server or not a local server), Workstation Player must map keysyms to v-scan codes by using a set of keyboard-specific tables.

An X server uses a two-level encoding of keys, which includes the X key code and the keysym. An X key code is a one-byte value. The assignment of key codes to keys depends on the X server implementation and the physical keyboard. As a result, an X application normally cannot use key codes directly. Instead, the key codes are mapped into keysyms that have names like space, escape, x and 2. You can use an X application to control the mapping by using the function `XChangeKeyboardMapping()` or by the program `xmodmap`. To explore keyboard mappings, you can use the `xev` command, which shows the key codes and keysyms for keys typed into its window.

A key code corresponds roughly to a physical key, while a keysym corresponds to the symbol on the key top. For example, with an XFree86 server running on a PC, the Z key on the German keyboard has the same key code as the Y key on an English keyboard. The German Z keysym, however, is the same as the English Z keysym, and different from the English Y keysym.

## Change How a Specific Key Is Mapped

If some keys on the keyboard do not work correctly in a virtual machine, you can set a property that makes a modification to the map. To change how a specific key is mapped, you add the appropriate property to the virtual machine configuration (`.vmx`) file or to `~/ .vmware/config`.

### Prerequisites

- Verify that the X server is an XFree86 server running on a PC. If the X server is remote, configure it to use key code mapping. See [“Configure Keyboard Mapping for a Remote X Server,”](#) on page 107.
- Determine the X key code and the corresponding v-scan code for the key. To find the X key code for a key, run `xev` or `xmodmap -pk`. See [“V-Scan Code Table,”](#) on page 110 for most v-scan codes.
- Power off the virtual machine and exit Workstation Player.

### Procedure

- 1 Open `.vmx` or `~/ .vmware/config` in a text editor.

- 2 Add the `xkeymap.keycode.code` property and set it to the v-scan code.

`code` must be a decimal number and the v-scan code must be a C-syntax hexadecimal number, such as 0x001.

In this example, the properties swap left Ctrl and Caps Lock.

```
xkeymap.keycode.64 = "0x01d # X Caps_Lock -> VM left ctrl"
xkeymap.keycode.37 = "0x03a # X Control_L -> VM caps lock"
```

## Configure How Keysyms Are Mapped

When key code mapping cannot be used or is disabled, Workstation Player maps keysyms to v-scan codes. If a language-specific keyboard does not appear to be supported by Workstation Player, you might need to set a property that tells Workstation Player which keysym table to use.

Workstation Player determines which table to use by examining the current X keymap. However, its decision-making process can sometimes fail. In addition, each mapping is fixed and might not be completely correct for any given keyboard and X key code-to-keysym mapping. For example, if a user uses `xmodmap` to swap Ctrl and Caps Lock by, the keys are swapped in the virtual machine when using a remote server (keysym mapping), but are unswapped when using a local server (key code mapping). To correct this situation, you must remap the keys in Workstation Player.

To configure how keysyms are mapped, you add one or more properties to the virtual machine configuration (`.vmx`) file or to `~/vmware/config`.

### Prerequisites

- To change the mapping of a few keys, determine the keysym name for each key. To find a keysym name, use the `xev` or `xmodmap -pk` command. The X header file `/usr/include/X11/keysymdef.h` also has a complete list of keysyms. The name of a keysym is the same as its C constant, but without the `XK_` prefix.
- To use a different keysym table, determine which mapping table to use. The tables are located in the `xkeymap` directory in the Workstation Player installation directory, which is usually `/usr/lib/vmware`. The table you must use depends on the keyboard layout. The normal distribution includes tables for PC keyboards for the United States and a number of European countries and languages. For most of these, both the 101-key (or 102-key) and the 104-key (or 105-key) variants are available.

If none of the mapping tables is completely correct, find one that works best, copy it to a new location, and change the individual keysym mappings.

- Familiarize yourself with the v-scan codes. See [“V-Scan Code Table,”](#) on page 110.
- Power off the virtual machine and exit Workstation Player.

### Procedure

- To disable X key code mapping to map keysyms rather than key codes to v-scan codes, add the `xkeymap.nokeycodeMap` property and set it to `TRUE`.

For example: `xkeymap.nokeycodeMap = "TRUE"`

- If Workstation Player has a table in the `xkeymap` directory for your keyboard but cannot detect it, add the `xkeymap.language` property and set it to one of the tables in the `xkeymap` directory.

For example: `xkeymap.language = "keyboard_type"`

If the failure to detect the keyboard means that the table is not completely correct for you, you might need to create a modified table and use the `xkeymap.fileName` property instead.

- To use a different keysym mapping table that is not in the `xkeymap` directory, add the `xkeymap.fileName` property and set it to the path to the table.

For example: `xkeymap.fileName = "file_path"`

The table must list a keysym for each key by using the form `sym="v-scan_code"`, where the `sym` value is an X keysym name and `v-scan_code` is a C-syntax hexadecimal number, for example, `0x001`. Use a new line for each keysym.

---

**NOTE** Because compiling a complete keysym mapping is difficult, you should usually edit an existing table and make small changes.

---

- To change the keysym mapping of a few keys, type the `xkeymap.keysym` property for each key, on separate lines.

For example: `xkeymap.keysym.sym = "v-scan_code"`

The value of `sym` must be an X keysym name and `v-scan_code` is a C-syntax hexadecimal number, for example, `0x001`.

## V-Scan Code Table

You specify v-scan codes when you change how keys or keysyms are mapped.

Following are the v-scan codes for the 104-key U.S. keyboard.

**Table 12-1.** V-Scan Codes for the 104-Key U.S. Keyboard

Symbol	Shifted Symbol	Location	V-Scan Code
Esc			0x001
1	!		0x002
2	@		0x003
3	#		0x004
4	\$		0x005
5	%		0x006
6	^		0x007
7	&		0x008
8	*		0x009
9	(		0x00a
0	)		0x00b
-	_		0x00c
=	+		0x00d
Backspace			0x00e
Tab			0x00f
Q			0x010
W			0x011
E			0x012
R			0x013
T			0x014
Y			0x015
U			0x016

**Table 12-1.** V-Scan Codes for the 104-Key U.S. Keyboard (Continued)

Symbol	Shifted Symbol	Location	V-Scan Code
I			0x017
O			0x018
P			0x019
[	{		0x01a
]	}		0x01b
Enter			0x01c
Ctrl		left	0x01d
A			0x01e
S			0x01f
D			0x020
F			0x021
G			0x022
H			0x023
J			0x024
K			0x025
L			0x026
;			0x027
'			0x028
`			0x029
Shift		left	0x02a
\			0x02b
Z			0x02c
X			0x02d
C			0x02e
V			0x02f
B			0x030
N			0x031
M			0x032
,	<		0x033
.	>		0x034
/	?		0x035
Shift		right	0x036
*		numeric pad	0x037
Alt		left	0x038
Space bar			0x039
Caps Lock			0x03a
F1			0x03b
F2			0x03c
F3			0x03d

**Table 12-1.** V-Scan Codes for the 104-Key U.S. Keyboard (Continued)

Symbol	Shifted Symbol	Location	V-Scan Code
F4			0x03e
F5			0x03f
F6			0x040
F7			0x041
F8			0x042
F9			0x043
F10			0x044
Num Lock		numeric pad	0x045
Scroll Lock			0x046
Home	7	numeric pad	0x047
Up arrow	8	numeric pad	0x048
PgUp	9	numeric pad	0x049
-		numeric pad	0x04a
Left arrow	4	numeric pad	0x04b
5		numeric pad	0x04c
Right arrow	6	numeric pad	0x04d
+		numeric pad	0x04e
End	1	numeric pad	0x04f
Down arrow	2	numeric pad	0x050
PgDn	3	numeric pad	0x051
Ins	0	numeric pad	0x052
Del		numeric pad	0x053
F11			0x057
F12			0x058
Break	Pause		0x100
Enter		numeric pad	0x11c
Ctrl		right	0x11d
/		numeric pad	0x135
SysRq	Print Scrn		0x137
Alt		right	0x138
Home		function pad	0x147
Up arrow		function pad	0x148
Page Up		function pad	0x149
Left arrow		function pad	0x14b
Right arrow		function pad	0x14d
End		function pad	0x14f
Down arrow		function pad	0x150
Page Down		function pad	0x151
Insert		function pad	0x152



**Table 12-1.** V-Scan Codes for the 104-Key U.S. Keyboard (Continued)

Symbol	Shifted Symbol	Location	V-Scan Code
Delete		function pad	0x153
Windows		left	0x15b
Windows		right	0x15c
Menu			0x15d

The 84-key keyboard has a Sys Req key on the numeric pad. Its v-scan code is 0x054.

Keyboards outside the U.S. usually have an extra key (often <> or <> |) next to the left Shift key. The v-scan code for this key is 0x056.

## Modify Hardware Settings for a Virtual Machine

You can modify memory, processor, virtual and physical hard disk, CD-ROM and DVD drive, floppy drive, virtual network adapter, USB controller, sound card, serial port, generic SCSI device, printer, and display settings for a virtual machine.

### Procedure

- 1 Select the virtual machine and select **Virtual Machine > Virtual Machine Settings**.
- 2 Click the **Hardware** tab.
- 3 Select the hardware setting to modify.
- 4 Click **Help** for information about how to modify the hardware setting.

You must power off a virtual machine before you change certain hardware settings.



# Configuring Network Connections

---

Workstation Player provides bridged networking, network address translation (NAT), and host-only networking to configure a virtual machine for virtual networking. The software that you need for all networking configurations is installed on the host system when you install Workstation Player.

This chapter includes the following topics:

- [“Understanding Virtual Networking Components,”](#) on page 115
- [“Understanding Common Networking Configurations,”](#) on page 116
- [“Configuring Bridged Networking,”](#) on page 117
- [“Configuring Network Address Translation,”](#) on page 118
- [“Configuring Host-Only Networking,”](#) on page 118
- [“Changing a Networking Configuration,”](#) on page 120

## Understanding Virtual Networking Components

The virtual networking components in Workstation Player include virtual switches, virtual network adapters, the virtual DHCP server, and the NAT device.

### Virtual Switches

Like a physical switch, a virtual switch connects networking components together. Virtual switches, which are also referred to as virtual networks, are named VMnet0, VMnet1, VMnet2, and so on. A few virtual switches are mapped to specific networks by default.

**Table 13-1.** Default Virtual Network Switches

Network Type	Switch Name
Bridged	VMnet0
NAT	VMnet8
Host-only	VMnet1

Workstation Player creates virtual switches as needed, up to 20 virtual switches on a Windows host system and up to 255 virtual switches on a Linux host system. You can connect an unlimited number of virtual network devices to a virtual switch on a Windows host system and up to 32 virtual network devices to a virtual switch on a Linux host system.

---

**NOTE** On Linux host systems, the virtual switch names are in all lowercase letters, for example, vmnet0.

---

## Virtual Network Adapters

When you use the New Virtual Machine wizard to create a new virtual machine, the wizard creates a virtual network adapter for the virtual machine. The virtual network adapter appears in the guest operating system as an AMD PCNET PCI adapter or Intel Pro/1000 MT Server Adapter. In Windows Vista, Windows 7, and Windows 8 guest operating systems, it is an Intel Pro/1000 MT Server Adapter.

Player 3.x and later virtual machines can have up to 10 virtual network adapters.

## Virtual DHCP Server

The virtual Dynamic Host Configuration Protocol (DHCP) server provides IP addresses to virtual machines in configurations that are not bridged to an external network. For example, the virtual DHCP server assigns IP addresses to virtual machines in host-only and NAT configurations.

## NAT Device

In a NAT configuration, the NAT device passes network data between one or more virtual machines and the external network, identifies incoming data packets intended for each virtual machine, and sends them to the correct destination.

## Understanding Common Networking Configurations

You can configure bridged networking, NAT, and host-only networking for virtual machines. You can also use the virtual networking components to create sophisticated custom virtual networks.

Creating custom networks is available only on virtual machines that are created in Workstation Player. Although you cannot configure custom networking in Workstation Player, you can run a virtual machine that has custom networking in Workstation Player.

## Bridged Networking

Bridged networking connects a virtual machine to a network by using the network adapter on the host system. If the host system is on a network, bridged networking is often the easiest way to give the virtual machine access to that network.

When you install Workstation Player on a Windows or Linux host system, a bridged network (VMnet0) is set up for you. See [“Configuring Bridged Networking,”](#) on page 117.

## NAT Networking

With NAT, a virtual machine does not have its own IP address on the external network. Instead, a separate private network is set up on the host system. In the default configuration, a virtual machine gets an address on this private network from the virtual DHCP server. The virtual machine and the host system share a single network identity that is not visible on the external network.

When you install Workstation Player on a Windows or Linux host system, a NAT network (VMnet8) is set up for you. When you use the New Virtual Machine wizard to create a new virtual machine and select the typical configuration type, the wizard configures the virtual machine to use the default NAT network.

You can have only one NAT network. See [“Configuring Network Address Translation,”](#) on page 118.

## Host-Only Networking

Host-only networking creates a network that is completely contained within the host computer. Host-only networking provides a network connection between the virtual machine and the host system by using a virtual network adapter that is visible on the host operating system.

When you install Workstation Player on a Windows or Linux host system, a host-only network (VMnet1) is set up for you. See “[Configuring Host-Only Networking](#),” on page 118.

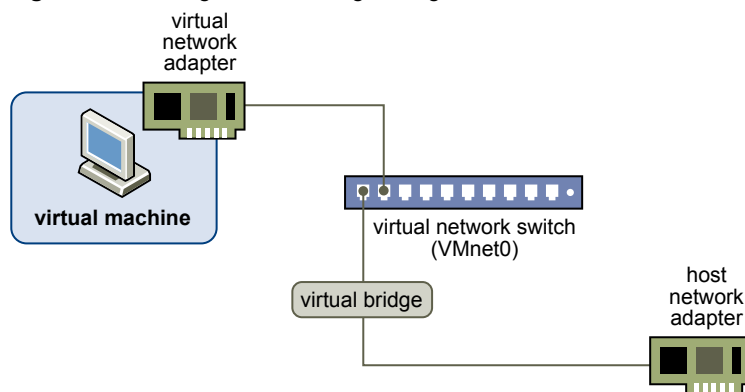
## Configuring Bridged Networking

When you install Workstation Player on a Windows or Linux host system, a bridged network (VMnet0) is set up for you. Bridged networking connects a virtual machine to a network by using the network adapter on the host system. If the host system is on a network, bridged networking is often the easiest way to give the virtual machine access to that network.

With bridged networking, the virtual network adapter in the virtual machine connects to a physical network adapter in the host system. The host network adapter enables the virtual machine to connect to the LAN that the host system uses. Bridged networking works with both wired and wireless host network adapters.

Bridged networking configures the virtual machine as a unique identity on the network, separate from and unrelated to the host system. The virtual machine is a full participant in the network. It has access to other machines on the network, and other machines on the network can contact it as if it were a physical computer on the network.

**Figure 13-1.** Bridged Networking Configuration



You can view and change the settings for bridged networking on the host system, determine which network adapters to use for bridged networking, and map specific host network adapters to specific virtual switches.

## Assigning IP Addresses in a Bridged Networking Environment

A virtual machine must have its own identity on a bridged network. For example, on a TCP/IP network, the virtual machine needs its own IP address. Your network administrator can tell you whether IP addresses are available for virtual machines and which networking settings to use in the guest operating system.

Typically, the guest operating system can acquire an IP address and other network details from a DHCP server, but you might need to set the IP address and other details manually in the guest operating system.

Users who boot multiple operating systems often assign the same address to all systems because they assume that only one operating system will be running at a time. If the host system is set up to boot multiple operating systems, and you run one or more operating systems in virtual machines, you must configure each operating system to have a unique network address.

## Configure Bridged Networking for an Existing Virtual Machine

You can configure bridged networking for an existing virtual machine.

To configure bridged networking for a new virtual machine, select **Customize Hardware** when you run the New Virtual Machine wizard.

**Procedure**

- 1 Select the virtual machine and select **Virtual Machine > Virtual Machine Settings**.
- 2 On the **Hardware** tab, select **Network Adapter**.
- 3 Select **Bridged: Connected directly to the physical network**.
- 4 If you use the virtual machine on a laptop or other mobile device, select **Replicate physical network connection state**.

This setting causes the IP address to be renewed when you move from one wired or wireless network to another.

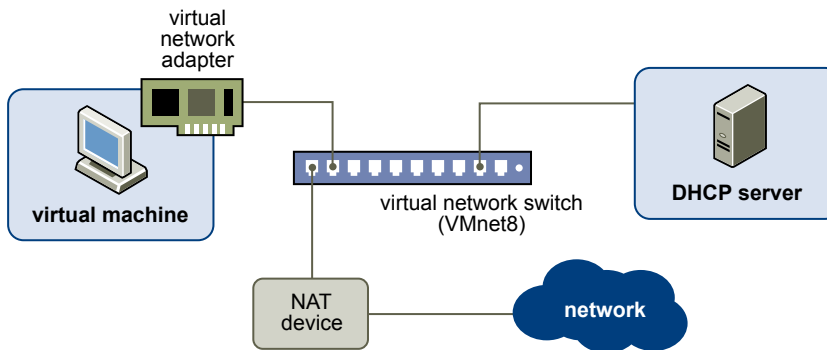
- 5 Click **OK** to save your changes.

## Configuring Network Address Translation

When you install Workstation Player on a Windows or Linux host system, a NAT network (VMnet8) is set up for you. When you use the New Virtual Machine wizard to create a typical virtual machine, the wizard configures the virtual machine to use the default NAT network.

With NAT, a virtual machine does not have its own IP address on the external network. Instead, a separate private network is set up on the host system. In the default configuration, virtual machines get an address on this private network from the virtual DHCP server.

**Figure 13-2.** NAT Configuration



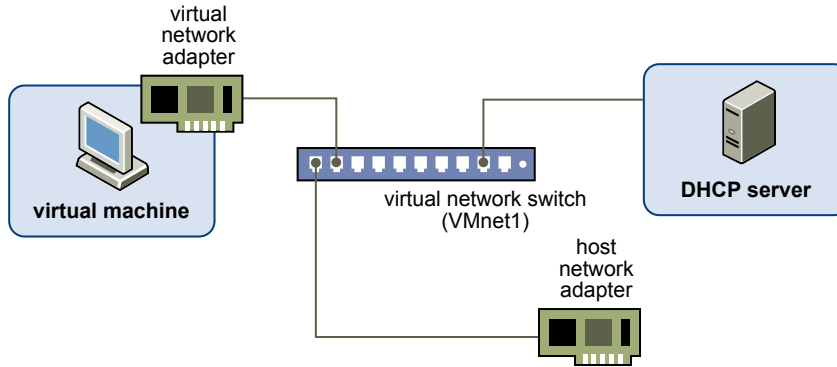
The virtual machine and the host system share a single network identity that is not visible on the external network. NAT works by translating the IP addresses of virtual machines in the private network to the IP address of the host system. When a virtual machine sends a request to access a network resource, it appears to the network resource as if the request is coming from the host system.

The host system has a virtual network adapter on the NAT network. This adapter enables the host system and virtual machines to communicate with each other. The NAT device passes network data between one or more virtual machines and the external network, identifies incoming data packets intended for each virtual machine, and sends them to the correct destination.

## Configuring Host-Only Networking

When you install Workstation Player on a Windows or Linux host system, a host-only network (VMnet1) is set up for you. Host-only networking is useful if you need to set up an isolated virtual network. In a host-only network, the virtual machine and the host virtual network adapter are connected to a private Ethernet network. The network is completely contained within the host system.

The network connection between the virtual machine and the host system is provided by a virtual network adapter that is visible on the host operating system. The virtual DHCP server provides IP addresses on the host-only network.

**Figure 13-3.** Host-Only Networking Configuration

In the default configuration, a virtual machine in a host-only network cannot connect to the Internet. If you install the proper routing or proxy software on the host system, you can establish a connection between the host virtual network adapter and a physical network adapter on the host system to connect the virtual machine to a Token Ring or other non-Ethernet network.

On a Windows host computer, you can use host-only networking in combination with the Internet Connection Sharing feature in Windows to allow a virtual machine to use the dial-up networking adapter or other connection to the Internet on the host system. See Microsoft documentation for information on configuring Internet Connection Sharing.

## Configure Host-Only Networking for an Existing Virtual Machine

You can configure host-only networking for an existing virtual machine. You can connect a virtual network adapter to the default host-only network (VMnet1) or to a custom host-only network. If a virtual machine has two virtual network adapters, you can connect it to two host-only networks.

To configure host-only networking for a new virtual machine, select **Customize Hardware** when you run the New Virtual Machine wizard.

### Prerequisites

To connect the virtual machine to two host-only networks, add a second virtual network adapter to the virtual machine. See [“Add a Virtual Network Adapter to a Virtual Machine,”](#) on page 120.

### Procedure

- 1 Select the virtual machine and select **Virtual Machine > Virtual Machine Settings**.
- 2 On the **Hardware** tab select a virtual network adapter.
- 3 Select the host-only network.

Option	Action
<b>Use the default host-only network (VMnet1)</b>	Select <b>Host-only: A private network shared with the host</b> .
<b>Use a custom host-only network</b>	Select <b>Custom</b> and select the custom host-only network from the drop-down menu.

- 4 To connect the virtual machine to a second host-only network, select another virtual network adapter and select the second host-only network.
- 5 Click **OK** to save your changes.

**What to do next**

Assign IP addresses to the virtual network adapters. To see the IP address that a host-only network is using, use the `ipconfig` command on the Linux host.

**Changing a Networking Configuration**

You can determine the type of network that a virtual machine is using, add virtual network adapters to a virtual machine, and change the configuration of existing virtual network adapters.

**Find the Network Type of a Virtual Machine**

Unless you configure a custom network connection, a virtual machine uses a bridged, NAT, or host-only network connection. When you use the New Virtual Machine wizard to create a virtual machine, the new virtual machine defaults to using the NAT network type.

**Procedure**

- 1 Select the virtual machine and select **Virtual Machine > Virtual Machine Settings**.
- 2 On the **Hardware** tab, select **Network Adapter**.

**Add a Virtual Network Adapter to a Virtual Machine**

You can add up to 10 virtual network adapters to a virtual machine.

**Prerequisites**

Familiarize yourself with the network configuration types. See [“Understanding Common Networking Configurations,”](#) on page 116.

**Procedure**

- 1 Select the virtual machine and select **Virtual Machine > Virtual Machine Settings**.
- 2 On the **Hardware** tab, click **Add**.
- 3 Select **Network Adapter** and click **Next**.
- 4 Select the virtual network adapter type.

Option	Description
<b>Bridged</b>	The virtual machine is connected to the network by using the network adapter on the host system. The virtual machine has a unique identity on the network, separate from and unrelated to the host system.
<b>NAT</b>	The virtual machine and the host system share a single network identity that is not visible on the external network. When the virtual machine sends a request to access a network resource, it appears to the network resource as if the request is coming from the host system.
<b>Host-only</b>	The virtual machine and the host virtual network adapter are connected to a private Ethernet network. The network is completely contained within the host system.

- 5 (Optional) Select the **Connect at power on** checkbox.
- 6 Click **Finish** to add the virtual network adapter to the virtual machine.
- 7 Click **OK** to save your changes.



- 8 Verify that the guest operating system is configured to use an appropriate IP address on the new network.
  - a If the virtual machine is using DHCP, release and renew the lease.
  - b If the IP address is set statically, verify that the guest operating system has an address on the correct virtual network.

## Modify an Existing Virtual Network Adapter for a Virtual Machine

You can change the settings of a virtual network adapter that is currently used by a virtual machine.

### Prerequisites

Familiarize yourself with the network configuration types. See [“Understanding Common Networking Configurations,”](#) on page 116.

### Procedure

- 1 Select the virtual machine and select **Virtual Machine > Virtual Machine Settings**.
- 2 On the **Hardware** tab, select the virtual network adapter.
- 3 Select the virtual network adapter type.

Option	Description
<b>Bridged</b>	The virtual machine is connected to the network by using the network adapter on the host system. The virtual machine has a unique identity on the network, separate from and unrelated to the host system.
<b>NAT</b>	The virtual machine and the host system share a single network identity that is not visible on the external network. When the virtual machine sends a request to access a network resource, it appears to the network resource as if the request is coming from the host system.
<b>Host-only</b>	The virtual machine and the host virtual network adapter are connected to a private Ethernet network. The network is completely contained within the host system.
<b>Custom</b>	Select a custom network from the drop-down menu. Although VMnet0, VMnet1, and VMnet8 might be available in this list, these networks are usually used for bridged, host-only, and NAT networks.
<b>LAN segment</b>	Select a LAN segment from the drop-down menu. A LAN segment is a private network that is shared by other virtual machines.

- 4 Click **OK** to save your changes.
- 5 Verify that the guest operating system is configured to use an appropriate IP address on the new network.
  - a If the virtual machine is using DHCP, release and renew the lease.
  - b If the IP address is set statically, verify that the guest operating system has an address on the correct virtual network.



# Configuring Virtual Machine Option Settings

# 14

Virtual machine options settings control characteristics of individual virtual machines, such as how files are transferred between the host and guest operating system and what happens to a guest operating system when you exit Workstation Player. Some virtual machine options override similar Workstation Player preference settings.

To configure virtual machine option settings for a selected virtual machine, select **Virtual Machine > Virtual Machine Settings** and click the **Options** tab.

This chapter includes the following topics:

- [“Configuring General Option Settings for a Virtual Machine,”](#) on page 123
- [“Configuring Power Options for a Virtual Machine,”](#) on page 124
- [“Configuring VMware Tools Options for a Virtual Machine,”](#) on page 125
- [“Configuring Autologin for a Virtual Machine,”](#) on page 126

## Configuring General Option Settings for a Virtual Machine

General option settings include the virtual machine name, the guest operating system type and version, and the location of the directory where virtual machine files are stored.

To configure general option settings for a selected virtual machine, select **Virtual Machine > Virtual Machine Settings**, click the **Options** tab, and select **General**.

- [Changing a Virtual Machine Name](#) on page 124  
You can change the name of a virtual machine. Changing the name of the virtual machine does not change the name of this directory, nor does it rename the virtual machine files on the host. Workstation Player uses the original name of the virtual machine to create the directory where virtual machine files are stored.
- [Changing the Guest Operating System](#) on page 124  
You can change the guest operating system or operating system version for a virtual machine. You might want to change the guest operating system for a virtual machine when you upgrade the guest operating system or if you specified the wrong operating system version when you created the virtual machine.
- [Changing the Virtual Machine Working Directory](#) on page 124  
You can change the working directory for a virtual machine. The working directory is where Workstation Player stores suspended state (.vms), snapshot (.vmsn), and virtual machine paging (.vmem) files. By default, the working directory is where the virtual machine files are stored.

## Changing a Virtual Machine Name

You can change the name of a virtual machine. Changing the name of the virtual machine does not change the name of this directory, nor does it rename the virtual machine files on the host. Workstation Player uses the original name of the virtual machine to create the directory where virtual machine files are stored.

To specify a new name for a selected virtual machine, select **Virtual Machine > Virtual Machine Settings**, click the **Options** tab, and select **General**.

## Changing the Guest Operating System

You can change the guest operating system or operating system version for a virtual machine. You might want to change the guest operating system for a virtual machine when you upgrade the guest operating system or if you specified the wrong operating system version when you created the virtual machine.

To select a new guest operating system or operating system version for a selected virtual machine, select **Virtual Machine > Virtual Machine Settings**, click the **Options** tab, and select **General**.

When you change the operating system type, the virtual machine configuration file is changed but the guest operating system is not changed. To change the guest operating system, you must obtain the operating system software and upgrade the guest operating system.

The virtual machine must be powered off when you change these settings.

## Changing the Virtual Machine Working Directory

You can change the working directory for a virtual machine. The working directory is where Workstation Player stores suspended state (.vmss), snapshot (.vmsn), and virtual machine paging (.vmem) files. By default, the working directory is where the virtual machine files are stored.

To specify a new working directory for a selected virtual machine, select **Virtual Machine > Virtual Machine Settings**, click the **Options** tab, and select **General**.

You might want to change the working directory in the following situations.

- To run a virtual machine that is stored on a network share or iPod, which might slow performance, you can change the working directory to your local hard disk.
- To create a paging file on a fast disk with a lot of disk space but leave the virtual disk and configuration file on a different disk, you can change the working directory so that it is located on the fast disk.

Changing the working directory does not change the directory where Workstation Player stores the virtual machine configuration (.vmx) file and log files.

The virtual machine must be powered off when you change this setting.

## Configuring Power Options for a Virtual Machine

Power options control how a virtual machine behaves after it is powered off, closed, or suspended.

To configure power options for a selected virtual machine, select **Virtual Machine > Virtual Machine Settings**, click the **Options** tab, and select **Power**.

**Table 14-1.** Power Options

Option	Description
Enter full screen mode after powering on	The virtual machine window enters full screen mode after it is powered on.
Report battery information to guest	Battery information is reported to the guest operating system. If you run the virtual machine on a laptop in full screen mode, this option enables you to determine when the battery is running low. This option is available only for Workstation 6.x and later virtual machines.

## Configuring VMware Tools Options for a Virtual Machine

You can configure how VMware Tools is updated on a virtual machine. You can also configure whether the clock on the guest operating system is synchronised with the clock on the host.

### VMware Tools Update Options

The virtual machine VMware Tools update options override the Workstation Player preferences for automatically updating VMware Tools on Linux and Windows guest operating systems.

To configure VMware Tools updates for a selected virtual machine, select **Virtual Machine > Virtual Machine Settings**, click the **Options** tab, and select **VMware Tools**.

**NOTE** Automatic updates are not supported for versions of VMware Tools included in virtual machines created with older versions of VMware products, such as Workstation 5.5 and earlier or VMware Server 1.x.

**Table 14-2.** VMware Tools Update Options

Option	Description
Update manually (do nothing)	You must update VMware Tools manually. A message appears on the status bar of the guest operating system when a new version of VMware Tools is available.
Update automatically	VMware Tools is updated automatically when a new version is available. The status bar indicates when an update is in progress.
Use application default (currently update automatically)	Use the default VMware Tools update behavior.

To install a VMware Tools update, use the same procedure that you used for installing VMware Tools the first time.

### Time Synchronization

If you turn on the VMware Tools time synchronization feature, VMware Tools checks once every minute to determine whether the clocks on the guest and host operating systems still match. If not, the clock on the guest operating system is synchronized to match the clock on the host.

Native time synchronization software, such as Network Time Protocol (NTP) for Linux and the Mac OS X, or Microsoft Windows Time Service (Win32Time) for Windows, is typically more accurate than VMware Tools periodic time synchronization and is therefore preferred.

## Configuring Autologin for a Virtual Machine

You can configure the Autologin feature for virtual machines that have a Windows 2000 or later guest operating system. To use Autologin, the virtual machine must be powered on, you must have an existing user account on the local machine, and the latest version of VMware Tools must be installed.

To configure Autologin for a selected virtual machine, select **Virtual Machine > Virtual Machine Settings**, click the **Options** tab, and select **Autologin**.

When you enable Autologin, you must type your login credentials. If you type an incorrect or expired password, you must type your login credentials when you power on the virtual machine. To change your login credentials, select **Change User**.

---

**NOTE** When you enable Autologin or change your login credentials, Autologin settings are saved immediately. If you click **Cancel** in the Virtual Machine Settings dialog box, the changes applied to the Autologin settings are not affected.

---

# Configuring Virtual Machine Hardware Settings

# 15

You can use virtual machine hardware settings to add, remove, and modify virtual devices for a virtual machine.

To configure hardware settings for a selected virtual machine, select **Virtual Machine > Virtual Machine Settings** and click the **Hardware** tab. When you select a device in the left pane, the configuration options for that device appear in the right pane.

This chapter includes the following topics:

- [“Adding Hardware to a Virtual Machine,”](#) on page 127
- [“Removing Hardware from a Virtual Machine,”](#) on page 129
- [“Adjusting Virtual Machine Memory,”](#) on page 129
- [“Configuring Virtual Machine Processor Settings,”](#) on page 129
- [“Configuring and Maintaining Virtual Hard Disks,”](#) on page 130
- [“Configuring CD-ROM and DVD Drive Settings,”](#) on page 133
- [“Configuring Floppy Drive Settings,”](#) on page 134
- [“Configuring Virtual Network Adapter Settings,”](#) on page 135
- [“Configuring USB Controller Settings,”](#) on page 138
- [“Configuring Sound Card Settings,”](#) on page 139
- [“Configuring Parallel Port Settings,”](#) on page 139
- [“Configuring Serial Port Settings,”](#) on page 139
- [“Configuring Generic SCSI Device Settings,”](#) on page 140
- [“Configuring Printer Settings,”](#) on page 141
- [“Configuring Display Settings,”](#) on page 141
- [“Installing a Guest Operating System on a Physical Disk or Unused Partition,”](#) on page 142

## Adding Hardware to a Virtual Machine

You can use virtual machine hardware settings to add hardware to an existing virtual machine.

To add hardware to a selected virtual machine, select **Virtual Machine > Virtual Machine Settings**, click the **Hardware** tab, and click **Add**.

---

**NOTE** You cannot add hardware to a virtual machine while it is in suspended state.

---

The Add Hardware wizard prompts you to select the type of device that you want to add and to specify device-specific configuration settings. You can modify many of the configuration settings after the device is created by changing virtual machine hardware settings.

You can add the following types of devices to a virtual machine.

<b>Virtual hard disks</b>	A virtual hard disk is a set of files that appears as a physical disk drive to the guest operating system. You can configure a virtual hard disk as an IDE, SCSI, or SATA device. You can add up to 4 IDE devices, up to 60 SCSI devices, and up to 120 SATA devices (4 controllers and 30 devices per controller) to a virtual machine. You can also give a virtual machine direct access to a physical disk.
<b>CD-ROM and DVD drives</b>	You can configure a virtual CD-ROM or DVD drive as an IDE, SCSI, or SATA device. You can add up to 4 IDE devices, up to 60 SCSI devices, and up to 120 SATA devices (4 controllers and 30 devices per controller) to a virtual machine. You can connect virtual CD-ROM and DVD drives to a physical drive on the host system or to an ISO image file.
<b>Floppy drives</b>	You can add up to two floppy drives. A virtual floppy drive can connect to a physical drive on the host system, to an existing floppy image file, or to a blank floppy image file.
<b>Network adapters</b>	You can add up to 10 virtual network adapters to a virtual machine.
<b>USB controller</b>	You can add one USB controller to a virtual machine. A virtual machine must have a USB controller to use USB devices or smart card readers. For smart card readers, a virtual machine must have a USB controller regardless of whether the smart card reader is actually a USB device.
<b>Sound card</b>	If the host system is configured for sound and has a sound card installed, you can enable sound for virtual machines.
<b>Parallel (LPT) ports</b>	You can attach up to three bidirectional parallel ports to a virtual machine. Virtual parallel ports can output to parallel ports or to files on the host operating system.
<b>Serial (COM) ports</b>	You can add up to four serial ports to a virtual machine. Virtual serial ports can output to physical serial ports, files on the host operating system, or named pipes.
<b>Printers</b>	You can print from a virtual machine to any printer available to the host system without installing additional drivers in the virtual machine. Workstation Player uses ThinPrint technology to replicate the host machine printer mapping in the virtual machine. When you enable the virtual machine printer, Workstation Player configures a virtual serial port to communicate with the host printers.
<b>Generic SCSI devices</b>	You can add up to 60 SCSI devices to a virtual machine. A generic SCSI device gives the guest operating system direct access to a SCSI device connected to the host system. Generic SCSI devices can include scanners, tape drives, CD-ROM drives, and DVD drives.



## Removing Hardware from a Virtual Machine

You can remove certain types of hardware from a virtual machine.

To remove hardware from a selected virtual machine, select **Virtual Machine > Virtual Machine Settings**, click the **Hardware** tab, and click **Remove**.

---

**NOTE** You cannot remove hardware from a virtual machine while it is in suspended state.

---

You can remove the following types of devices from a virtual machine.

- Virtual hard disks
- CD-ROM and DVD drives
- Floppy drives
- Virtual network adapters
- USB controllers
- Sound cards
- Printers
- Generic SCSI devices

You cannot remove the Memory, Processors, and Display device types.

You must power off a virtual machine before you remove a virtual network adapter, sound card, parallel port, serial port, or generic SCSI device. You must also power off Workstation 5 virtual machines before you remove a USB controller.

## Adjusting Virtual Machine Memory

You can adjust the amount of memory that is allocated to a virtual machine. You must power off a virtual machine before you change its memory allocation setting.

To adjust the memory allocation for a selected virtual machine, select **Virtual Machine > Virtual Machine Settings**, click the **Hardware** tab, and click **Memory**.

The Memory panel includes information to help you select the appropriate amount of memory for the virtual machine. The high end of the range is determined by the amount of memory that is allocated to all running virtual machines. If you allow virtual machine memory to be swapped, this value changes to reflect the specified amount of swapping.

The color-coded icons on the Memory panel indicate the maximum recommended memory, the recommended memory, and the guest operating system recommended minimum memory amounts. To adjust the memory, move the slider along the range of values, or type a value in the **Memory for this virtual machine** text box.

---

**NOTE** Allocating more than the maximum memory to a virtual machine might cause memory swapping. It can also negatively affect host system performance, including the ability to run Workstation Player.

---

## Configuring Virtual Machine Processor Settings

You can configure processor settings for a virtual machine, including the number of processors, the number of cores per processor, and the preferred execution mode for the virtualization engine.

To configure processor settings for a selected virtual machine, select **Virtual Machine > Virtual Machine Settings**, click the **Hardware** tab, and select **Processors**.

**Table 15-1.** Processor Settings

Setting	Description
<b>Number of cores per processor</b>	Select the number of cores per processor. Workstation Player supports up to 16-way virtual Symmetric Multiprocessing (SMP) for guest operating systems running on multiprocessor host machines. You can assign processors and cores per processor to a virtual machine on any host machine that has at least two logical processors.
<b>Preferred mode</b>	Select the preferred execution mode for the virtualization engine. You usually do not need to change virtualization engine settings. <ul style="list-style-type: none"> <li><b>Automatic</b>                      Workstation Player chooses the execution mode based on the guest operating system and the host CPU.</li> <li><b>Binary translation</b>              Workstation Player uses a mix of directly executing guest code and binary translation to run the guest operating system. Guest memory mapping is performed by using shadow page tables.</li> <li><b>Intel VT-x or AMD-V</b>              Workstation Player uses hardware extensions to run and isolate guest code. Guest memory mapping is performed by using shadow page tables.</li> <li><b>Intel VT-x/EPT or AMD-V/RVI</b>      Workstation Player uses hardware extensions to run and isolate guest code. Guest memory mapping is performed by using hardware paging.</li> </ul>
<b>Disable acceleration for binary translation</b>	In rare instances, you might find that Workstation Player appears to freeze when you install or run software inside a virtual machine. This problem typically occurs early in the execution of the program. In many cases, you can prevent the problem by temporarily disabling acceleration in the virtual machine. After the program passes the point at which the problems occur, deselect this setting.
<b>Virtualize Intel VT-x/EPT or AMD-V/RVI</b>	Workstation Player forces the virtual machine execution mode to VT-x/EPT or AMD-RVI. Physical Address Extension (PAE) mode must be enabled to use virtualized AMD-V/RVI.  If the execution mode is not supported by the host system, virtualized VT-x/EPT or AMD/RVI is not available. If you migrate the virtual machine to another VMware product, virtualized VT-x/EPT or AMD-V/RVI might not be available.
<b>Virtualize CPU performance counters</b>	Turn on this feature if you plan to use performance monitoring applications such as VTune or OProfile to optimize or debug software that runs inside the virtual machine.  This feature is available only if the virtual machine compatibility is Workstation 9 or later.

## Configuring and Maintaining Virtual Hard Disks

You can configure virtual hard disk node and mode settings. You can also use command in the **Utilities** menu to perform common disk maintenance tasks, such as defragmenting, compacting, and expanding a disk.

To perform actions on a virtual hard disk for a selected virtual machine, select **Virtual Machine > Virtual Machine Settings**, click the **Hardware** tab, and select the virtual hard disk.

- [Defragmenting Virtual Hard Disks](#) on page 131  
Like physical disk drives, virtual hard disks can become fragmented. Defragmenting disks rearranges files, programs, and unused space on the virtual disk so that programs run faster and files open more quickly. Defragmenting does not reclaim unused space on a virtual disk.
- [Expanding Virtual Hard Disks](#) on page 131  
Expanding a virtual hard disk adds storage space to the virtual machine.
- [Compacting Virtual Hard Disks](#) on page 132  
Compacting a virtual hard disk reclaims unused space in the disk. If a disk has empty space, this process reduces the amount of space the virtual hard disk occupies on the host drive. You must power off a virtual machine before you compact its virtual hard disk.
- [Mapping a Virtual Disk to the Host System](#) on page 132  
Instead of using shared folders or copying data between a virtual machine and the host system, you can map a virtual disk to the host system. In this case, you map a virtual disk in the host file system as a separate mapped drive. Using a mapped drive lets you connect to the virtual disk without going into a virtual machine.
- [Changing Virtual Hard Disk Node and Mode Settings](#) on page 133  
You can change virtual hard disk node and mode settings.

## Defragmenting Virtual Hard Disks

Like physical disk drives, virtual hard disks can become fragmented. Defragmenting disks rearranges files, programs, and unused space on the virtual disk so that programs run faster and files open more quickly. Defragmenting does not reclaim unused space on a virtual disk.

There must be adequate free working space on the host system to defragment a virtual hard disk. If the disk is contained in a single file, for example, you need free space equal to the size of the disk file. Other virtual hard disk configurations require less free space. You cannot defragment a virtual hard disk while it is mapped or mounted.

To defragment a virtual hard disk for a selected virtual machine, select **Virtual Machine > Virtual Machine Settings**, click the **Hardware** tab, select the virtual hard disk, and select **Defragment** from the **Utilities** menu.

---

**NOTE** Defragmenting a virtual hard disk can take several minutes.

---

## Expanding Virtual Hard Disks

Expanding a virtual hard disk adds storage space to the virtual machine.

When you expand a virtual hard disk, the added space is not immediately available to the virtual machine. To make the added space available, you must use a disk management tool to increase the size of the existing partition on the virtual hard disk to match the expanded size.

The disk management tool that you use depends on the virtual machine guest operating system. Many operating systems, including Windows Vista, Windows 7, and some versions of Linux, provide built-in disk management tools that can resize partitions. Third-party disk management tools are also available, such as Symantec/Norton PartitionMagic, EASEUS Partition Master, Acronis Disk Director, and the open-source tool GParted.

When you expand the size of a virtual hard disk, the sizes of partitions and file systems are not affected.

To expand a virtual hard disk for a selected virtual machine, select **Virtual Machine > Virtual Machine Settings**, select the virtual hard disk, and select **Expand** from the **Utilities** menu.

---

**NOTE** As an alternative to expanding a virtual hard disk, you can add a new virtual hard disk to the virtual machine.

---

## Compacting Virtual Hard Disks

Compacting a virtual hard disk reclaims unused space in the disk. If a disk has empty space, this process reduces the amount of space the virtual hard disk occupies on the host drive. You must power off a virtual machine before you compact its virtual hard disk.

You cannot compact a virtual hard disk if disk space is preallocated or if the virtual hard disk is mapped or mounted.

To compact a virtual hard disk for a selected virtual machine, select **Virtual Machine > Virtual Machine Settings**, click the **Hardware** tab, select the virtual hard disk, and select **Compact** from the **Utilities** menu.

## Mapping a Virtual Disk to the Host System

Instead of using shared folders or copying data between a virtual machine and the host system, you can map a virtual disk to the host system. In this case, you map a virtual disk in the host file system as a separate mapped drive. Using a mapped drive lets you connect to the virtual disk without going into a virtual machine.

### Map or Mount a Virtual Disk to a Drive on the Host System

When you map a virtual disk and its associated volume to a drive on the host system, you can connect to the virtual disk without opening a virtual machine.

After you map the virtual disk to a drive on the host system, you cannot power on any virtual machine that uses the disk until you disconnect the disk from the host system.

---

**IMPORTANT** If you mount a virtual disk that has a snapshot and then write to the disk, you can irreparably damage a snapshot or linked clone created from the virtual machine. Note that Workstation Player does not support taking snapshots or deleting them.

---

Mapping a virtual disk to a host system is not supported in the standalone version of Workstation Player. Virtual disk mapping is supported in the Workstation Player version included with Workstation Pro.

### Prerequisites

- Power off all virtual machines that use the virtual disk.
- Verify that the virtual disk (.vmdk) files on the virtual disk are not compressed and do not have read-only permissions.
- Verify that the virtual disk is unencrypted. You cannot map or mount encrypted disks.

### Procedure

- 1 Select the virtual machine and select **Virtual Machine > Virtual Machine Settings**.
- 2 On the **Hardware** tab, select **Hard Disk**, click **Utilities**, and select **Map**.
- 3 On a Linux host, select the **Mount in read-only mode** check box in the Mount Disk dialog box.

This setting prevents you from accidentally writing data to a virtual disk that might be the parent of a snapshot or linked clone. Writing to such a disk might make the snapshot or linked clone unusable.

- 4 Browse to a virtual disk (.vmdk) file, select it, and click **Open**.

- 5 Select the volume to map or mount and select an unused drive letter on the host system.
- 6 Click **OK** or **Mount**.

The drive appears on the host system. You can read from or write to files on the mapped virtual disk on the host system.

## Disconnect a Virtual Disk from the Host System

To use a virtual disk from a virtual machine after it has been mapped or mounted on the host system, you must disconnect it from the host system.

### Procedure

- 1 Select the virtual machine and select **Virtual Machine > Virtual Machine Settings**.
- 2 On the **Hardware** tab, select **Hard Disk**, click **Utilities**, and select **Disconnect**.

You can now power on any virtual machine that uses this disk.

## Changing Virtual Hard Disk Node and Mode Settings

You can change virtual hard disk node and mode settings.

To change the node and mode settings for a virtual hard disk on a selected virtual machine, select **Virtual Machine > Virtual Machine Settings**, click the **Hardware** tab, select the virtual hard disk, and click **Advanced**. By default, changes are immediately written to the disk.

**Table 15-2.** Virtual Hard Disk Node and Mode Settings

Setting	Description
<b>Virtual device node</b>	Select the SCSI, IDE, or SATA device identifier to use for the drive. For example, if you select SCSI 0:2, the guest operating system detects the drive as ID 2 on controller 0. You determine whether the virtual disk is seen as a SCSI, IDE, or SATA device at the time that you create it.

## Configuring CD-ROM and DVD Drive Settings

You can configure CD-ROM and DVD drive settings, including the virtual device node and legacy emulation modes.

To configure CD-ROM and DVD drive settings for a selected virtual machine, select **Virtual Machine > Virtual Machine Settings**, click the **Hardware** tab, and select the drive.

- [Configuring CD-ROM and DVD Drive Status and Connection Settings](#) on page 134  
Device status and connection settings control when a CD-ROM or DVD drive is connected to a virtual machine, whether to use a specific drive or allow Workstation Player to detect a drive, and whether to use an ISO image file instead of a physical drive.
- [Changing Virtual Device Node and Legacy Emulation Settings](#) on page 134  
You can use the advanced settings to change the virtual device node and legacy emulation settings for a CD-ROM or DVD drive. You must power off the virtual machine before you change these settings.

## Configuring CD-ROM and DVD Drive Status and Connection Settings

Device status and connection settings control when a CD-ROM or DVD drive is connected to a virtual machine, whether to use a specific drive or allow Workstation Player to detect a drive, and whether to use an ISO image file instead of a physical drive.

To configure device status and connection settings for a selected virtual machine, select **Virtual Machine > Virtual Machine Settings**, click the **Hardware** tab, and select the drive.

**Table 15-3.** Device Status and Connection Settings

Setting	Description
<b>Connected</b>	Connect the drive or ISO image file while the virtual machine is running.
<b>Connect at power on</b>	Connect the drive or ISO image path when you power on the virtual machine.
<b>Use physical drive</b>	Select a specific drive or select <b>Auto detect</b> to allow Workstation Player to detect a drive to use.
<b>Use ISO image file</b>	Specify or select an ISO image file for the virtual machine to use.

To disable or enable access to a CD-ROM or DVD drive while a virtual machine is running, select the virtual machine, select **Virtual Machine > Removable Devices > CD/DVD**, and select **Disconnect** or **Connect**.

## Changing Virtual Device Node and Legacy Emulation Settings

You can use the advanced settings to change the virtual device node and legacy emulation settings for a CD-ROM or DVD drive. You must power off the virtual machine before you change these settings.

To configure virtual device and legacy emulation settings for a selected virtual machine, select **Virtual Machine > Virtual Machine Settings**, click the **Hardware** tab, select the drive, and click **Advanced**.

Use the settings to select which SCSI, IDE, or SATA device identifier to use for the drive. For example, if you select SCSI 0:2, the guest operating system detects the drive as ID 2 on controller 0. You can select the IDE, SCSI, or SATA node options regardless of the physical device type. For example, if the physical drive is an IDE device, you can select a SCSI node. In this case, the virtual machine detects the drive as a SCSI device.

If you select the **Legacy emulation** setting, the virtual hardware works as it did in an earlier release of Workstation Player. By default, Workstation Player attempts to make the advanced features of your drive available, but sometimes this setting might cause the drive to not work with the virtual machine. Selecting the **Legacy emulation** setting reverts Workstation Player to the previous emulation mode for the drive. Legacy emulation is helpful for troubleshooting purposes.

## Configuring Floppy Drive Settings

You can configure when a floppy drive is connected to a virtual machine, whether to use a specific drive or allow Workstation Player to detect a drive, and whether to use an disk drive image file instead of a physical drive.

To configure floppy drive settings for a selected virtual machine, select **Virtual Machine > Virtual Machine Settings**, click the **Hardware** tab, and select the floppy drive.

**Table 15-4.** Floppy Drive Settings

Setting	Description
<b>Connected</b>	Connect the drive or floppy image file while the virtual machine is running.
<b>Connect at power on</b>	Connect the floppy drive when you power on the virtual machine.

**Table 15-4.** Floppy Drive Settings (Continued)

Setting	Description
Use a physical drive	Select a specific floppy drive or select <b>Auto detect</b> to allow Workstation Player to detect a drive to use.
Use a floppy image file	Create or browse to a floppy image (.img or .flp) file. Select <b>Read only</b> to prevent changes from being made to the file.

To disable or enable access to a floppy drive while a virtual machine is running, select the virtual machine, select **Virtual Machine > Removable Devices > Floppy**, and select **Disconnect** or **Connect**.

## Configuring Virtual Network Adapter Settings

You can configure when a virtual network adapter is connected to a virtual machine and the type of network connection that the adapter provides.

To configure virtual network adapter settings for a selected virtual machine, select **Virtual Machine > Virtual Machine Settings**, click the **Hardware** tab, and select the virtual network adapter.

- [Configuring Virtual Network Adapter Device Status Settings](#) on page 135  
Device status settings control when a virtual network adapter is connected to a virtual machine.
- [Configuring Bridged Networking](#) on page 136  
When you configure bridged networking, the virtual machine uses physical network adapters on the host system to connect a network.
- [Configuring Network Address Translation](#) on page 136  
When you configure Network Address Translation (NAT), the virtual machine shares the IP address and MAC address of the host system.
- [Configuring Host-Only Networking](#) on page 137  
When you configure host-only networking, Workstation Player creates a virtual private network (VPN) connection between the virtual machine and the host system.
- [Configuring LAN Segments](#) on page 137  
When you select a LAN segment, the virtual machine uses a private network that can be shared with other virtual machines. LAN segments are useful for multitier testing, network performance analysis, and situations where virtual machine isolation are important.
- [Configuring Virtual Network Adapter Advanced Settings](#) on page 137  
You can use the advanced virtual network adapter settings to limit the bandwidth and specify the acceptable packet loss percentage for incoming and outgoing data transfers.

## Configuring Virtual Network Adapter Device Status Settings

Device status settings control when a virtual network adapter is connected to a virtual machine.

To configure virtual network adapter device status settings for a selected virtual machine, select **Virtual Machine > Virtual Machine Settings**, click the **Hardware** tab, and select the virtual network adapter.

**Table 15-5.** Device Status Settings

Setting	Description
<b>Connected</b>	Connect the virtual network adapter while the virtual machine is running.
<b>Connect at power on</b>	Connect the virtual network adapter when you power on the virtual machine.

## Configuring Bridged Networking

When you configure bridged networking, the virtual machine uses physical network adapters on the host system to connect a network.

If the host system is on a network, bridged networking is often the easiest way to give a virtual machine access to that network.

With bridged networking, the virtual machine appears as an additional computer on the same physical Ethernet network as the host system. The virtual machine can transparently use the services available on the network, including file servers, printers, and gateways. Physical hosts and other virtual machines configured with bridged networking can also use the resources of the virtual machine.

When you use bridged networking, the virtual machine must have its own identity on the network. For example, on a TCP/IP network, the virtual machine must have its own IP address. Virtual machines typically acquire an IP address and other network details from a DHCP server. In some configurations, you might need to set the IP address and other details manually.

Users who boot multiple operating systems often assign the same address to all systems because they assume that only one operating system will be running at the same time. If the host system is set up to boot multiple operating systems and you run one or more of them in virtual machines, configure each operating system with a unique network address.

When the **Replicate physical connection state** option is selected, the IP address is automatically renewed when you move from one wired or wireless network to another. This setting is useful for virtual machines than run on laptops or other mobile devices.

### Changing Automatic Bridging Settings

When automatic bridging mode is configured, you can restrict the physical network adapters that a virtual switch bridges to.

To change automatic bridging settings, select **Player > Virtual Machine Settings > Network Adapter > Configure Adapters**, select the host network adapter(s) to automatically bridge, and click **OK**.

By default, a virtual switch bridges to all active network adapters on the host system when it is configured for automatic bridging. The choice of which adapter to use is arbitrary.

To prevent a virtual switch from bridging to a particular physical network adapter, deselect the check box for that host network adapter.

## Configuring Network Address Translation

When you configure Network Address Translation (NAT), the virtual machine shares the IP address and MAC address of the host system.

The virtual machine and the host system share the a single identity that is not visible outside the network. The virtual machine does not have its own IP address. Instead, a separate private network is set up on the host system and the virtual machine obtains an address on that network from the VMware virtual DHCP server. The VMware NAT device passes network data between one or more virtual machines and the external network. The VMware NAT device identifies incoming data packets that are intended for each virtual machine and sends them to the correct destination.

With NAT, a virtual machine can use many standard protocols to connect to other machines on the external network. For example, you can use HTTP to browse Web sites, FTP to transfer files, and Telnet to log in to other systems. You can also connect to a TCP/IP network by using a Token Ring adapter on the host system.



In the default configuration, systems on the external network cannot initiate connections to the virtual machine. For example, the default configuration does not let you use the virtual machine as a Web server to send Web pages to systems on the external network. This limitation protects the guest operating system from being compromised before you can install security software.

By default, NAT is used when you use the New Virtual Machine wizard to create a virtual machine.

The virtual machine uses NAT to connect to the Internet or other TCP/IP network by using the networking connection on the host system. NAT works with Ethernet, DSL, and phone modems. A separate private network is set up on the host system. The virtual machine obtains an address on that network from the VMware virtual DHCP server.

## Configuring Host-Only Networking

When you configure host-only networking, Workstation Player creates a virtual private network (VPN) connection between the virtual machine and the host system.

A VPN is typically not visible outside the host system. Multiple virtual machines configured with host-only networking on the same host system are on the same network. The VMware DHCP server provides addresses on the network.

If you install the proper routing or proxy software on the host system, you can establish a connection between the host virtual network adapter and a physical network adapter on the host system. With this configuration, you can connect the virtual machine to a Token Ring or other non-Ethernet network.

## Configuring LAN Segments

When you select a LAN segment, the virtual machine uses a private network that can be shared with other virtual machines. LAN segments are useful for multitier testing, network performance analysis, and situations where virtual machine isolation are important.

If you add an existing virtual machine to a LAN segment, the virtual machine might be configured to expect an IP address from a DHCP server. Unlike host-only and NAT networking, Workstation Player does not provide a DHCP server for LAN segments. You must manually configure IP addressing for virtual machines on a LAN segment. You can either configure a DHCP server on the LAN segment to allocate IP addresses, or you can configure a fixed IP address for each virtual machine on the LAN segment.

You can click **LAN Segments** to create new LAN segments or delete and rename existing LAN segments. Deleting a LAN segment disconnects all virtual network adapters that are configured for that LAN segment. When you delete a LAN segment, you must manually configure its disconnected virtual network adapter to reconnect the virtual machine to the network.

## Configuring Virtual Network Adapter Advanced Settings

You can use the advanced virtual network adapter settings to limit the bandwidth and specify the acceptable packet loss percentage for incoming and outgoing data transfers.

To configure advanced virtual network adapter settings for a selected virtual machine, select **Virtual Machine > Virtual Machine Settings**, click the **Hardware** tab, select the virtual network adapter, and click **Advanced**.

**Table 15-6.** Virtual Network Adapter Advanced Settings

Setting	Description
<b>Bandwidth and Kbps</b>	<p>To limit incoming or outgoing data transfers to the data transfer rate for a specific network connection type, select the network connection type from the <b>Bandwidth</b> drop-down menu. The value in the <b>Kbps</b> text box changes to the data transfer rate, in kilobits per second, of the network connection type that you select. For example, if you select <b>Leased Line T1 (1.544 Mbps)</b>, the value in the <b>Kbps</b> text box changes to 1544.</p> <p>To limit incoming or outgoing data transfers to a specific data transfer rate, select <b>Custom</b> and type the data transfer rate in kilobits per second in the <b>Kbps</b> text box.</p> <p>The default bandwidth setting for both incoming and outgoing data transfers is <b>Unlimited</b>.</p>
<b>Packet Loss (%)</b>	The acceptable packet loss percentage for incoming or outgoing data transfers. The default setting is 0.0%.
<b>MAC Address</b>	To assign a new MAC address to the network adapter, either type a new address in this text box or click <b>Generate</b> to have Workstation Player generate a new address.

## Configuring USB Controller Settings

You can configure whether a USB controller supports isochronous USB and Bluetooth devices, when to connect new USB devices to the host system, and whether human interface devices (HIDs) appear in the **Removable Devices** menu.

To configure USB controller settings for a selected virtual machine, select **Virtual Machine > Virtual Machine Settings**, click the **Hardware** tab, and click **USB Controller**.

**Table 15-7.** USB Controller Settings

Setting	Description
<b>USB Compatibility</b>	Selecting USB 2.0 or 3.0 enables support for isochronous USB devices, including Web cams, speakers, and microphones.
<b>Automatically connect new USB devices</b>	Connect new USB devices to the virtual machine. If this setting is not selected, new USB devices are connected only to the host system.
<b>Show all USB input devices</b>	Human interface devices (HIDs), such as USB 1.1 and 2.0 mouse and keyboard devices, appear in the <b>Removable Devices</b> menu. Icons for HIDs appear in the status bar. An HID that is connected to the guest operating system is not available to the host system. The virtual machine must be powered off when you change this setting.
<b>Share Bluetooth devices with the virtual machine</b>	Enable support for Bluetooth devices.

To connect or disconnect USB devices while a virtual machine is running, select the virtual machine and select **Virtual Machine > Removable Devices**. With the two-port USB controller, you can connect to both USB 1.1 and USB 2.0 devices.

**IMPORTANT** Before you unplug a USB device or select a removable device to disconnect a USB device from a virtual machine, follow the device manufacturer's procedures for safely unplugging the device from a physical computer.

## Configuring Sound Card Settings

You can configure when a sound card is connected to a virtual machine. You can also configure whether a virtual machine uses a specific sound card or the default sound card in the host system.

To configure sound card settings for a selected virtual machine, select **Virtual Machine > Virtual Machine Settings**, click the **Hardware** tab, and click **Sound Card**.

**Table 15-8.** Sound Card Settings

Setting	Description
<b>Connected</b>	Connect the sound device while the virtual machine is running.
<b>Connect at power on</b>	Connect the sound device when you power on the virtual machine.
<b>Use default host sound card</b>	Make the virtual machine use the default sound card in the host system.
<b>Specify host sound card</b>	(Windows hosts only) Select a specific host sound card for the virtual machine to use.
<b>Use physical sound card</b>	(Linux hosts only) Select a specific host sound card to for the virtual machine to use.
<b>Enable Echo Cancellation</b>	Enable echo cancellation for the sound card.

## Configuring Parallel Port Settings

You can configure when a parallel port is connected to a virtual machine and whether to send output to a physical port or to a file on the host system.

To configure parallel port settings for a selected virtual machine, select **Virtual Machine > Virtual Machine Settings**, click the **Hardware** tab, and select the parallel port.

**Table 15-9.** Parallel Port Settings

Setting	Description
<b>Connected</b>	Connect the port while the virtual machine is running.
<b>Connect at power on</b>	Connect the port when you power on the virtual machine. If the guest operating system cannot access the parallel port device when you power on the virtual machine, deselect this setting. You can use the <b>Removable Devices</b> menu to enable access to the parallel port after the virtual machine is powered on.
<b>Use a physical parallel port</b>	Select a host parallel port for the virtual machine to use.
<b>Use output file</b>	Send output from the virtual parallel port to a file on the host system. Either locate an existing output file or browse to a directory and type a filename to create a new output file.

## Configuring Serial Port Settings

You can configure when a serial port is connected to a virtual machine. You can also configure whether to send output to a physical port or to a file on the host system, set up a direct connection between two virtual machines, and specify whether the guest operating system uses the port in polled mode.

To configure serial port settings for a selected virtual machine, select the virtual machine, select **Virtual Machine > Virtual Machine Settings**, click the **Hardware** tab, and select the serial port.

**Table 15-10.** Serial Port Settings

Setting	Description
Connected	Connect the port while the virtual machine is running.
Connect at power on	Connect the port when you power on the virtual machine.
Use a physical serial port	Select a host serial port.
Use output file	Send output from the virtual serial port to a file on the host system. Either locate an existing output file or navigate to the desired directory and type a filename for the file to create.
Use named pipe or Use socket (named pipe)	Set up a direct connection between two virtual machines or a connection between a virtual machine and an application on the host system.  (Linux hosts) Enter <code>/tmp/socket</code> or another UNIX socket name in the first field. The pipe name must be the same on both the server and the client.
Yield CPU on poll	The guest operating system uses the port in polled mode rather than interrupt mode. It yields processor time if its only task is to poll the virtual serial port.  If the guest operating system uses the serial port in interrupt mode, do not select this setting.  <b>NOTE</b> This setting is useful for developers who are using debugging tools that communicate over a serial connection. Selecting this setting can improve performance when the guest operating system uses the serial port in polled mode.

## Configuring Generic SCSI Device Settings

You can configure when a generic SCSI device is connected to a virtual machine, specify the physical SCSI device to connect to on the host system, and select the SCSI identifier to use for the drive.

To configure generic SCSI device settings for a selected virtual machine, select **Virtual Machine > Virtual Machine Settings**, click the **Hardware** tab, and select the generic SCSI device.

**Table 15-11.** Generic SCSI Device Settings

Setting	Description
Connected	Connect the device while the virtual machine is running.
Connect at power on	Connect the device when you power on the virtual machine.
Specify the physical SCSI device to connect to	Select a host SCSI device.  (Windows hosts) Select a device. The menu shows the SCSI devices that are available on the host system.  (Linux hosts) Type the name of the <code>/dev/sg</code> entry for the device to install in the virtual machine. For example, if the device is named <code>sga</code> , type <code>/dev/sga</code> .
Virtual device node	Select the SCSI device identifier to use for the drive. For example, if you select SCSI 0:2, the guest operating system sees the drive as ID 2 on controller 0.  The virtual machine must be powered off when you change this setting.

**NOTE** For specific Windows guest operating systems, you might need to perform additional configuration steps to use a generic SCSI device.

## Configuring Printer Settings

You can configure when a printer is connected to a virtual machine.

To configure printer settings for a selected virtual machine, select **Virtual Machine > Virtual Machine Settings**, click the **Hardware** tab, and select **Printer**.

**Table 15-12.** Printer Settings

Setting	Description
Connected	Connect the printer while the virtual machine is running.
Connect at power on	Connect the printer when you power on the virtual machine.

## Configuring Display Settings

You can specify monitor resolution settings, configure multiple monitors, and select accelerated graphics capabilities for a virtual machine.

To configure display settings for a virtual machine, select the virtual machine, select **Virtual Machine > Virtual Machine Settings**, click the **Hardware** tab, and select **Display**.

**Table 15-13.** Display Settings

Setting	Description
Accelerate 3D graphics	Select this setting if you run applications that use DirectX 9 or DirectX 10 accelerated graphics. Accelerated graphics capabilities apply to Windows XP or later guests on hosts running Windows or Linux. The virtual machine must be a Player 3.x or later virtual machine and must have the latest VMware Tools installed.
Use host setting for monitors	When you select this setting, the SVGA driver uses two monitors, a maximum bounding box width of 3840, and a maximum bounding box height of 1920. The virtual machine is configured to have a minimum of two 1920x1200 monitors, in a side-by-side topology, in both normal and rotated orientations. If the host system has more than two monitors, the virtual machine uses the number of monitors on the host system instead. If the host system's bounding box is wider or taller than the defaults, the virtual machine uses the larger size. You should select this setting in most cases.
Specify monitor settings	Set the number of monitors that the virtual machine will see, regardless of the number of monitors on the host system. This setting is useful if you use a multimonitor host system and you need to test in a virtual machine that has only one monitor. It is also useful if you are developing a multimonitor application in a virtual machine and the host system has only one monitor. After you power on the virtual machine, the guest operating system sees the number of monitors that you specified. Select a resolution from the list or type a setting that has the format <i>width x height</i> , where <i>width</i> and <i>height</i> are the number of pixels.
Graphics memory	Select the maximum amount of guest memory that can be used for graphics memory using the drop down menu. The default value of video memory varies by guest OS.
Display Scaling	Enables display scaling for the virtual machine display. The user interface is automatically adjusted when the display changes.

## Installing a Guest Operating System on a Physical Disk or Unused Partition

You can install a guest operating system directly on a physical disk or unused partition on the host system.

A physical disk directly accesses an existing local disk or partition. You can use physical disks to run one or more guest operating systems from existing disk partitions.

Workstation Player supports physical disks up to 2 TB capacity. Booting from an operating system already set up on an existing SCSI disk or partition is not supported.

Running an operating system natively on the host system and switching to running it inside a virtual machine is similar to pulling the hard drive out of one computer and installing it in a second computer that has a different motherboard and hardware. The steps you take depend on the guest operating system in the virtual machine. In most cases, a guest operating system that is installed on a physical disk or unused partition cannot boot outside of the virtual machine, even though the data is available to the host system. See the *Dual-Boot Computers and Virtual Machines* technical note on the VMware Web site for information about using an operating system that can also boot outside of a virtual machine.

After you configure a virtual machine to use one or more partitions on a physical disk, do not modify the partition tables by running `fdisk` or a similar utility in the guest operating system. If you use `fdisk` or a similar utility on the host operating system to modify the partition table of the physical disk, you must recreate the virtual machine physical disk. All files that were on the physical disk are lost when you modify the partition table.

---

**IMPORTANT** You cannot use a physical disk to share files between the host system and a guest operating system. Making the same partition visible to both the host system and a guest operating system can cause data corruption. Instead, use shared folder to share files between the host system and a guest operating system.

---

# Index

## A

- accelerated 3D graphics
  - preparing a virtual machine **79**
  - preparing the host system **78**
  - using **78**
- acceleration, disabling **87**
- Autologin **126**
- Autologon, configuring **52**
- automatic bridging settings **136**

## B

- bandwidth **137**
- battery information **57**
- bridged networking
  - assigning IP addresses **117**
  - configuring **117**

## C

- CD-ROM drives
  - adding **89**
  - configuring **89**
  - configuring legacy emulation mode **91**
- close behavior, configuring **53**
- close behavior preference settings **23**
- command line options, installing Workstation Pro on Linux **18**
- compatible virtual machines and system images **16**
- configuring virtual machines **75**
- copy and paste feature
  - restrictions **21**
  - using **21**
- copy virtual machine **80**
- CPUs, host requirements **13**
- Ctrl+Alt, using in a key combination **107**
- Ctrl+Alt+Delete **51**
- Ctrl+Alt+Ins **51**

## D

- deleting virtual machines **86**
- devices, configuring and managing **89**
- disk drives, host requirements **15**
- disk node and mode settings **133**
- display settings, configuring **55**
- displays
  - changing **55**

- changing settings **141**
- host requirements **14**
- drag-and-drop feature
  - restrictions **20**
  - using **20**
- DVD drives
  - adding **89**
  - configuring **89**
  - configuring legacy emulation mode **91**

## E

- Easy Install, responding to prompts **28, 32**
- ECR errors, troubleshooting **101**
- email collection **22**
- encrypted virtual machines **50**

## F

- floppy drives
  - adding **90**
  - configuring **89**
- FreeBSD guest operating system, VMware Tools installation or upgrade (tar installer) **45**
- full screen mode **56**

## G

- general option settings **123**
- generic SCSI devices
  - adding **103**
  - avoiding concurrent access problems on Linux **104**
  - configuring **103**
  - troubleshooting detection problems **104**
- glossary **11**
- guest operating systems
  - changing **76, 124**
  - installing manually **33**
  - selecting **28**
  - supported **16, 28**

## H

- hardware
  - adding to virtual machines **127**
  - customizing **31**
  - removing from virtual machines **129**
- hardware settings, modifying **113**
- host-only networks, configuring **118, 119**
- host-only networking **137**

human interface devices, connecting **61**

## I

IDE drives, host requirements **15**

importing virtual machines **34**

installing **17**

installing VMware Tools

FreeBSD (tar installer) **45**

Linux (tar installer) **41**

Microsoft Windows **40**

NetWare (tar installer) **43**

process overview **37**

Solaris (tar installer) **44**

installing Workstation Player, Linux host **17**

intended audience **11**

## K

key code mappings, configuring **109**

key mappings, changing **108**

keyboard features, configuring **106**

keysyms

defined **108**

mapping **109**

## L

LAN segments **137**

language codes **84**

license key **22**

Linux guest, VMware Tools installation or  
upgrade (tar installer) **41**

local area networking, host requirements **15**

lock files **98**

## M

managing virtual machines **75**

mapped drives **72, 132**

maximum virtual disk size **30**

memory

host requirements **14**

virtual machine allocation **16**

memory allocation, changing **77**

memory settings **129**

message log, viewing **86**

Microsoft Windows guest operating system,  
VMware Tools installation or  
upgrade **40**

monitor settings **141**

monitors, using multiple **57, 58**

moving a virtual machines **80**

moving virtual machines, considerations **81**

## N

naming virtual machines **124**

NAT, configuring **118, 136**

NetWare guest operating system, VMware Tools  
installation or upgrade (tar installer) **43**

network type of a virtual machine, finding **120**

networking components, understanding **115**

networking configurations

changing **120**

common **116**

New Virtual Machine wizard **27, 31**

## O

operating systems, host supported **14**

optical drives supported in host **15**

OVA format virtual machines **34**

OVF format virtual machines **34**

## P

packet loss **137**

parallel ports

configuring **98, 99**

configuring device permissions **101**

configuring on Linux 2.6.x kernels hosts **100**

PDAs, installing drivers **61**

physical disks **142**

power options, configuring **124**

printers

changing settings **141**

using host printers in a virtual machine **59, 63**

processors

configuring **129**

host requirements **13**

supported in virtual machines **16**

using a virtual machine that has more than  
sixteen **106**

## R

RAM, host requirements **14**

removable devices **59**

removing virtual machines **21, 50**

repairing VMware Tools installations **46**

resetting a virtual machine **52**

## S

SATA drives **15**

screen colors, setting for virtual machines **78**

SCSI drives, host requirements **15**

serial ports

changing the input speed **102**

configuring **98, 101**

shared folders

adding **67**

changing **71**

changing properties **71**

configuring **69**

disabling **72**



- mounting **70**
- supported guest operating systems **68**
- using **67**
- using permissions to restrict access **68**
- viewing in Windows **70**
- smart card readers, switching on Linux hosts **65**
- smart cards
  - disabling sharing **65**
  - using in virtual machines **64**
- software updates
  - automatic **24**
  - configuring **24**
  - configuring a proxy server **24**
- software update preferences, configuring **39**
- Solaris guest operating system, VMware Tools
  - installation or upgrade (tar installer) **44**
- solid-state drives **15**
- sound, configuring **77, 79, 80**
- sound cards **139**
- SSD **15**
- starting virtual machines **49**
- stopping virtual machines **49**
- suspending virtual machines **51**
- system data **25**
- system requirements, host system **13**

## T

- tar installer **41**
- time synchronization **125**
- transferring files and text **20**

## U

- uninstalling, Windows host **22**
- uninstalling VMware Tools **46**
- updated information **7**
- upgrading VMware Tools
  - FreeBSD (tar installer) **45**
  - Linux (tar installer) **41**
  - Microsoft Windows **40**
  - NetWare (tar installer) **43**
  - process overview **38**
  - Solaris (tar installer) **44**
- usage statistics **25**
- USB controller
  - adding **92**
  - configuring **91**
- USB devices
  - connecting **60**
  - disabling autoconnect **60**
  - enabling high-speed support for USB 2.0 or 3.0 **93**
  - mounting on a Linux host **60, 63**

- troubleshooting connection issues **62**
- understanding device control sharing **62**
- USB controller settings **138**
- User Experience Improvement Program **25**
- UUIDs
  - configuring **83**
  - using **82**

## V

- v-scan codes **110**
- video, configuring **77**
- virtual disks
  - allocating disk space **30**
  - changing settings **130**
  - compacting **132**
  - defragmenting **131**
  - disconnecting from the host **73, 133**
  - expanding **131**
  - mapping and mounting **72, 132**
  - SSD **15**
- virtual machines
  - changing names **75**
  - configuring for compatibility **82**
  - creating **27**
  - deleting **86**
  - installing software **87**
  - moving **80**
  - shutting down **50**
  - specifications **16**
  - starting **49**
  - understanding **27**
- virtual networks, configuring **115**
- virtual appliances **21, 50**
- virtual disk
  - bus type **30**
  - controller type **30**
  - maximum size **30**
  - optimize behavior **15**
- virtual disk capacity **30**
- virtual hard disks
  - adding **94, 95**
  - compacting **96**
  - configuring **93**
  - defragmenting **97**
  - expanding **96**
  - growing and allocating storage space **94**
  - moving **98**
  - removing **97**
  - setting up as IDE or SCSI **94**
- virtual machine directory, changing **76**
- virtual machine files, specifying in the New Virtual Machine wizard **29**
- virtual machine options **123**

- virtual machines directory **29**
- virtual network adapter, changing **121**
- virtual network adapters
  - adding **120**
  - configuring **135**
  - connection settings **135**
- virtual symmetric multiprocessing,
  - configuring **105, 106**
- VIX API **86**
- VMnet
  - virtual network **115**
  - virtual switch **115**
- VMware Tools
  - configuring updates for virtual machines **125**
  - installing **40**
  - updating on a specific virtual machine **40**
  - using **37**
- VMware Tools installation
  - FreeBSD (tar installer) **45**
  - Linux (tar installer) **41**
  - Microsoft Windows **40**
  - NetWare (tar installer) **43**
  - process **37**
  - Solaris (tar installer) **44**
- VMware Tools upgrade
  - FreeBSD (tar installer) **45**
  - Linux (tar installer) **41**
  - Microsoft Windows **40**
  - NetWare (tar installer) **43**
  - process **38**
  - Solaris (tar installer) **44**
- vmware-user, starting manually **46**
- VNC client, connecting to a virtual machine **85**
- VNC connections, viewing **86**
- VNC server
  - configuring a virtual machine **83**
  - specifying a language keyboard map **84**

## **W**

- working directory, changing **76**
- working directory for virtual machine files **124**
- worksheet, typical virtual machine **31**
- Workstation Player, start **19**
- Workstation Player window **19**
- Workstation Player email collection **22**
- Workstation Player preference settings **23**

## **X**

- X server and keyboard mapping **107**
- x-key codes, defined **108**
- xFree86 and keyboard mapping **107**